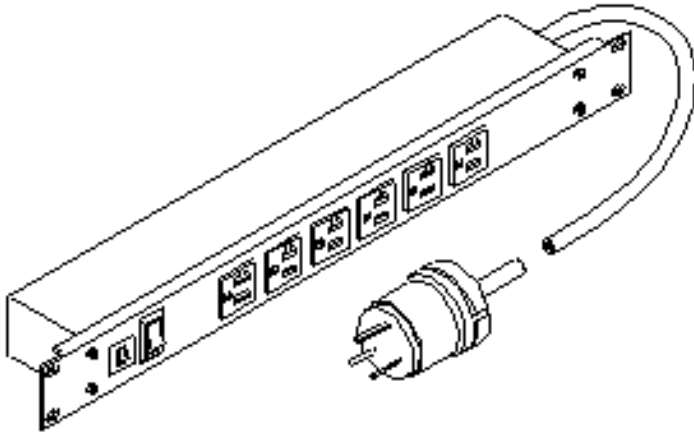


Rack Mount Power Strip Six Outlet



Features

- 19" rack mount unit
- Six outlet power distribution on front of unit
- 20 amp receptacles (5-20R)
- Breaker protected
- Metal construction for durability
- UL recognized
- Complete with mounting hardware
- L5-20P twist lock cord ended plug
- One rack unit high (1.75")

Specifications

- Six 20 amp grounded outlets on front
- 19" wide
- Twelve-foot power cord with L5-20P twist lock plug on cord end
- 20 amp rating with circuit breaker

Ordering Information

SWE705-20R-RM Power Strip - Six Outlet 19"
Rack Mount

Copyright © 2004 Southwest Data Products

