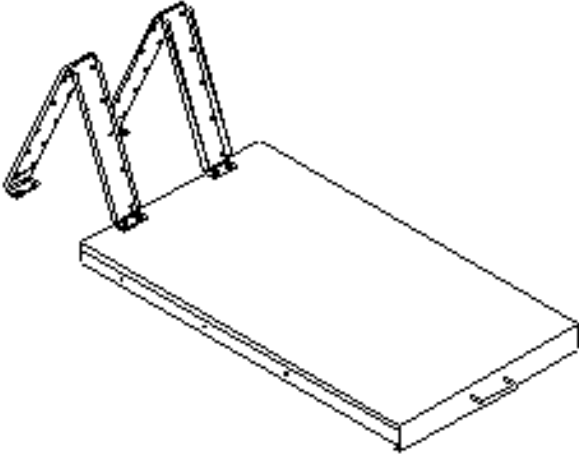


Roll Out Tower Shelf



Features

- Provides one single sliding tray
- Single tray provides (2) articulating arms
- Supports 150 lbs
- Formed construction for stiffness
- Uses full bearing slides - full extensions
- Mounting hardware provided
- Mounts to SWE380-V (Vented Divider) or SWE390-V (Vented Bottom)
- This is not a rack mountable shelf

Specifications

- 17" wide x 30-1/4" deep - 19" rack mount
- Not rack mountable - must be installed onto SWE380-V or SWE390-V
- Colors available (Color code):

IBM White (W)

IBM Blue (BLU)

ASA 61 Gray (G)

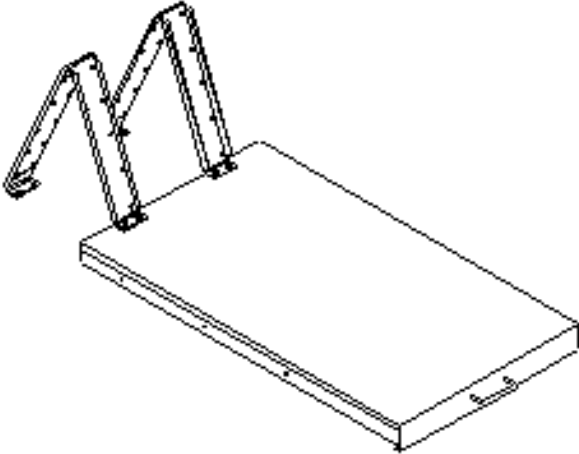
Black (BLK)

To order: Add color code to end of part number, e.g. SWE385BLK

Copyright © 2004 Southwest Data Products



Roll Out Tower Shelf



Features

- Provides one single sliding tray
- Single tray provides (2) articulating arms
- Supports 150 lbs
- Formed construction for stiffness
- Uses full bearing slides - full extensions
- Mounting hardware provided
- Mounts to SWE380-V-23 (Vented Divider) or SWE390-V-23 (Vented Bottom)
- This is not a rack mountable shelf

Specifications

- 21" wide x 30-1/4" deep - 23" rack mount
- Not rack mountable - must be installed onto SWE380-V-23 or SWE390-V-23
- Colors available (Color code):

IBM White (W)

IBM Blue (BLU)

ASA 61 Gray (G)

Black (BLK)

To order: Add color code to end of part number, e.g. SWE385-23BLK

Copyright © 2004 Southwest Data Products

