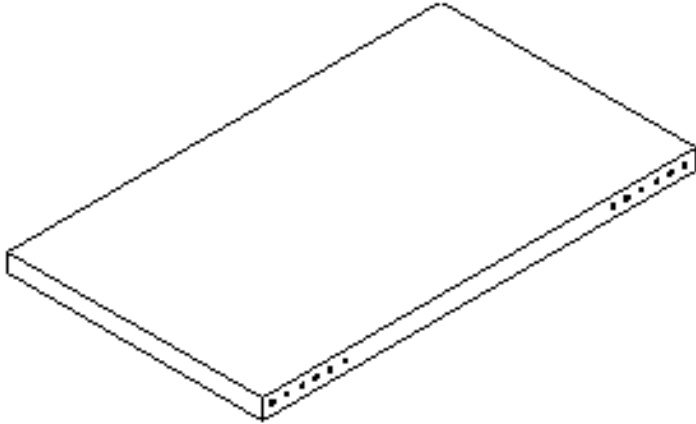


Series 2000 Equipment Shelf



Features

- 19" wide rack mounting unit
- Formed construction for stiffness
- Allows cable access in rear when used in 36" deep cabinet
- Mounting hardware provided
- Fits Series 2000 cabinet only
- Choice of colors

Specifications

- 200 lb weight capacity
- 17-1/2" wide x 30" deep
- Constructed from carbon steel
- Mounting hardware holes on standard EIA spacing
- Colors available (Color code):

IBM White (W)

IBM Blue (BLU)

ASA 61 Gray (G)

Black (BLK)

To order: Add color code to end of part number, e. g. SWE2000-SF30DBLK

Note: Series 2000 Cabinet must be equipped with front and back mounting rails.

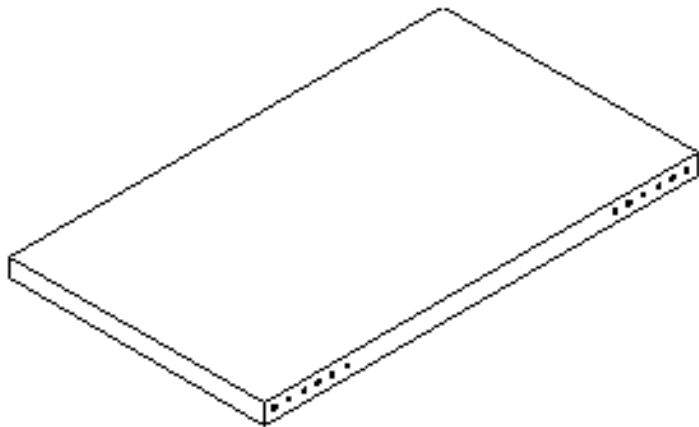
Photo:

[SWE2000-SF30D](#)

Copyright © 2004 Southwest Data Products



Series 2000 Equipment Shelf



Features

- 23" wide rack mounting unit
- Formed construction for stiffness
- Allows cable access in rear when used in 36" deep cabinet
- Mounting hardware provided
- Fits Series 2000 and 3000 cabinets only
- Choice of colors

Specifications

- 200 lb weight capacity
- 21-1/2" wide x 30" deep
- Constructed from carbon steel
- Mounting hardware holes on standard EIA spacing
- Colors available (Color code):

IBM White (W)

IBM Blue (BLU)

ASA 61 Gray (G)

Black (BLK)

To order: Add color code to end of part number, e. g. SWE2000-SF30D-23BLK

Note: Cabinet must be equipped with front and back mounting rails.

Copyright © 2004 Southwest Data Products

