



Multi-Tone Generator

Installation and Use Manual

Issue 2, August 2002



© 2002 Bogen Communications, Inc.
All rights reserved. 54-2020-01R2 0208
Model: **LUMUTGEN**
PEC Code: 5335-500
COM Code: 408184240
Select Code: 701-000-104

Notice

Every effort was made to ensure that the information in this guide was complete and accurate at the time of printing. However, information is subject to change.

Important Safety Information

Always follow these basic safety precautions when installing and using the unit.

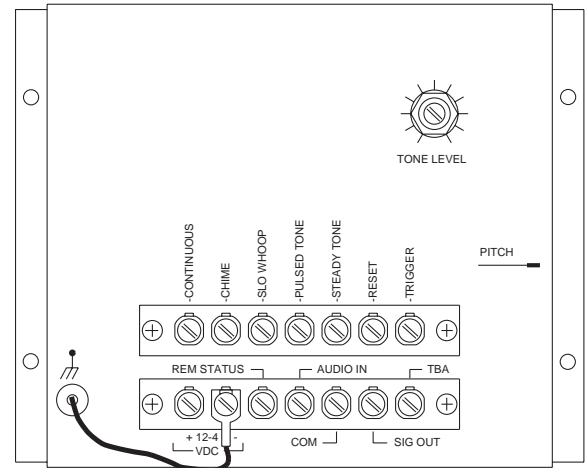
1. Read and understand all instructions.
2. Follow all warnings and instructions marked on the product.
3. DO NOT block or cover the ventilation slots and openings. They prevent the product from overheating. DO NOT place the product in a separate enclosure or cabinet, unless proper ventilation is provided.
4. Never spill liquid on the product or drop objects into the ventilation slots and openings. Doing so may result in serious damage to the components.
5. Repair or service must be performed by a factory authorized repair facility.
6. The product is provided with a UL-CSA approved, 3-wire ground type plug. This is a safety feature. DO NOT defeat the safety purpose of the grounding type plug. DO NOT staple or otherwise attach the AC power supply cord to building surfaces.
7. DO NOT use the product near water or in a wet or damp place (such as a wet basement).
8. DO NOT use extension cords. The product must be installed within 6 feet of a grounded outlet receptacle.
9. DO NOT install telephone wiring during a lightning storm.
10. DO NOT install telephone jacks in a wet location unless the jack is specifically designed for wet locations.
11. Never touch uninsulated wires or terminals, unless the line has been disconnected at the paging or controller interface.
12. Use caution when installing or modifying paging or control lines.

Support Information

Paging systems integrated with small phone systems such as Merlin Legend and Partner are supported by the National Service Assistance Center (NSAC). The main number for the NSAC is 800-628-2888. Paging systems integrated with large switches such as the DEFINITY G3 are supported by the Technical Service Center (TSC). The main number for the TSC is 800-242-2121.



Multi-Tone Generator



Package Contents

Your carton contains:

- * Multi-Tone Generator Unit
- * Power Supply
- * Male RCA to Wires Connector
- * Female RCA to Wires Connector
- * Installation and Use Manual

Description

The Multi-Tone Generator is capable of generating four distinct signals: pulsed tone, slow whoop, repeating chime, and steady tone. Each of these four signals may be applied continuously or limited to a double burst (single burst only of the steady tone) for alarm signalling or pre-announcement. Signals are triggered by an external device that provides a contact closure. Both tone level and pitch are adjustable.

The Multi-Tone Generator will accept a high-level (max. 1.5V RMS) input from a program source, such as a tuner or tape deck. Tone signal precedence over program input is built-in.

Installation

CAUTION: To reduce the risk of fire or electric shock, do not expose this unit to rain or excessive moisture.

Mounting - The Multi-Tone Generator is designed for wall mount applications. To wall mount this unit, use the four 5/8" pan head screws with nylon washers (screws and washers not provided). Place the unit flush with the wall and screw it in place.

Wiring - The Multi-Tone Generator can be installed in a variety of configurations, dependent upon specific application criteria. Figure 1 (on page 4) illustrates a common method of generating a tone signal over program (e.g., tape player, tuner) input. When the contacts of an external switching device are closed, program input is interrupted by a burst of one of the tone signals. For longer signal duration, connect the CONTINUOUS and TRIGGER terminals (dotted line). The tone signal will be continuously generated until the external switch contacts (ALARM CLOSURE) are reopened.

Power Supply - The Multi-Tone Generator requires a power source of between 12 and 48V DC, either positive or negative ground.

1. Connect the grounding lead from the chassis to the positive (+) terminal if a positive grounding system is used. Be certain that the Multi-Tone Generator chassis does not come into contact with any other equipment with a negative ground.
2. If a negative-ground system is used, connect the grounding lead to the negative (-) terminal.

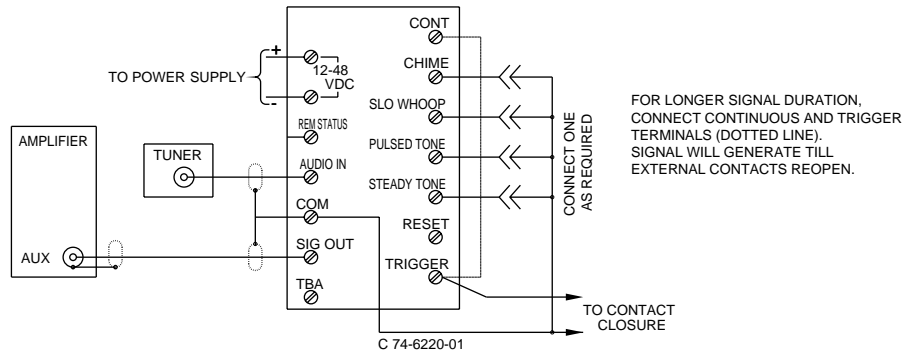


Figure 1 - Tone Signalling Over a Program Source

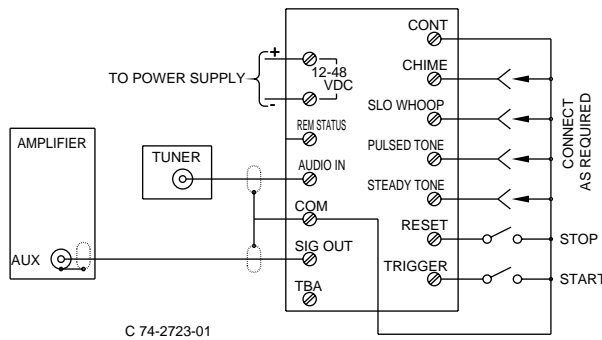


Figure 2 - Generating a Continuous Emergency Alarm

Figure 2 shows how the Multi-Tone Generator may be used for emergency alarm signalling in an unattended system. Program input is interrupted by a continuous alarm tone when an external sensing and switching device (i.e., a bi-metal sensor) momentarily closes the contact at the TRIGGER terminal (“START”). A second external momentary switch connected to the RESET terminal (“STOP”) restores the circuit when the switch is momentarily closed.

Operation

Tone Level - Tone level can be regulated by the front-panel screwdriver-adjustable TONE LEVEL control. Clockwise rotation increases the level of the tone signal.

Pitch Control - A recessed, screwdriver-adjustable, PITCH control is located on the side-panel and is used to adjust the frequency of the tone signal. The signal can be varied to suit the individual application requirement.