



Decora Lighting Controls

Mural™ Scene Capable Decora-Style Digital Dimmer
 120V AC 60Hz Only Compatible with Scene Controller and Scene Enhancement Products —
 See page A17.

DESCRIPTION	CAT. NO.	RATING	COLOR CHANGE KIT*
Mural Scene Capable Incandescent/Magnetic Low-Voltage Dimmer with LED Locator and LED Brightness Display	MCM06-1LW	600W/VA	I, W, A, G, E
Mural Scene Capable Incandescent/Magnetic Low-Voltage Dimmer with LED Locator and LED Brightness Display	MCM10-1LW	1000W/VA	I, W, A, G, E
Mural Scene Capable Mark X Preset Dimmer for 120V AC Advance Mark X™ Fluorescent Dimming Ballast	MCX10-1LW	1000VA (750W)	I, W, A, G, E
Scene Controller: 7 Lighting-Scene Buttons plus OFF and Group DIM and BRIGHT Buttons	MN00C-1LW	No load rating, use with Monet or Mural Scene Capable Dimmers Only	I, W, A, G, E
Color Change Kits for Mural MC Scene Capable Dimmer	DRKDD-1L	—	I, W, A, G, E
Color Change Kits with Text for MN00C-1LW Scene Controller	DCKS7-00	—	I, W, A, G, E

Note: Sharing a neutral wire may cause flickering. Connect all dimmers to the same phase or run a separate neutral to each phase. Consult Leviton Techline if problems persist.

Digital Lighting and Fan Speed Controls are polarity sensitive devices. Always follow the wiring instructions included with each device. Mural Scene Capable Digital Controls are designed for use with Scene Controller and Scene Enhancement products and are not compatible with the Multi-Remote unit.

All devices are UL Listed and CSA Certified.

Use Leviton Power Extenders to extend the load capacity of box-mounted dimmers. Leviton Power Extenders are available for incandescent, magnetic low-voltage, electronic low-voltage, Advance Mark X™ fluorescent dimming ballasts or equivalents, and 0-10 VDC dimmable fluorescent ballasts such as Advance Mark VII™, OSRAM Sylvania Quicktronic Helios or equivalent ballasts.

See Page O6 for more information on Leviton Power Extenders

CAUTION ON RETROFITS: When retrofitting Mark X dimming ballasts into fixtures that originally had Instant Start ballasts, the sockets MUST be replaced with Rapid Start sockets to allow proper dimmer operation and prevent damage to the dimming ballast. Refer to the instructions provided with the ballast and the Leviton Mark X dimmer.



MCM06-1LW in 80301-W

SPECIFICATIONS & FEATURES

- Responds to lighting level commands sent by the Cat. No. MN00C-1LW Scene Controller. Users can program the desired lighting level for individual Mural Scene Dimmers in up to seven distinct lighting scenes, which are easily accessed by one or more Scene Controllers
- Smooth ON/OFF and Dim/Bright Decora rocker action provides ease of operation for people of all ages and abilities
- Scene Controller also provides an OFF button and two arrow-shaped buttons for group Dim and Bright control.
- Local Dim/Bright adjustment on individual scene dimmers will not effect programmed scene lighting settings
- Compatible with Scene Enhancement Products including Contact Closure Interface, Infrared Hand-Held Remote and Infrared Receiver, and one-way and two-way Signal Repeater
- Streamlined, popular Decora styling enhances any interior and adds a "family look" when ganged with any Decora device
- Digital circuitry provides SOFT-ON/FADE-OFF operation for an eye-pleasing effect and prolonged lamp life
- Square green LED display alongside rocker indicates selected brightness level
- Locator LED illuminates when lights are OFF
- Color change kits available in a wide range of choices, making it easy and economical to change decorating schemes
- Color change kits simplify inventory for distributors and contractors who can offer a complete range of colors without stocking a different device for each one
- Minimum Brightness Adjustment sets comfortable minimum light level
- Protected memory and voltage compensation maintain light levels after power outages and during minor power fluctuations
- Built-in radio/TV interference filter
- ON/OFF AC air-gap switch completely disconnects power to unit for bulb changing or removal from service

TESTING & CODE COMPLIANCE

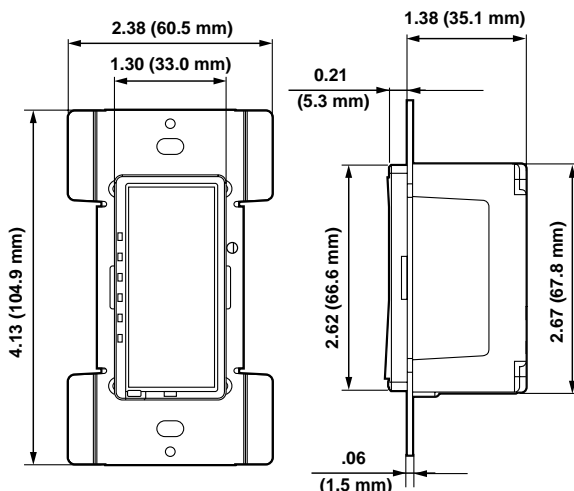
- UL Listed (File #E-31373)
- CSA Certified (File #LR-3413)
- Backed by a Limited Two-Year warranty

*COLOR

Basic Cat. No. denotes White device. For other colors, order Color Change Kits and add suffix as follows: Ivory (-I), White (-W), Gray (-G), Black (-E), and Almond (-A).

MATERIAL CHARACTERISTICS

Environmental: Flammability UL-94, V2 Rating
 Operating Temperature: 32°F to 130°F



MURAL SCENE CAPABLE DIMMER
 Cat. No. MCM10-1LW

