



## Press-On Protection Plate

For wood and metal studs

### Features

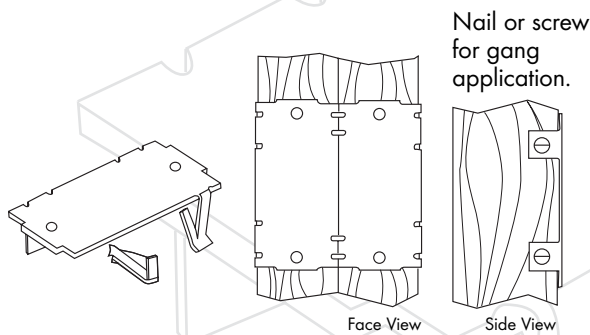
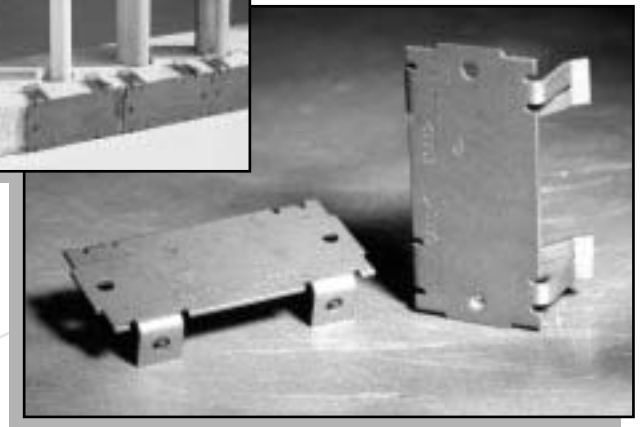
- Fastest nailplate protection, no tools required
- Protects plumbing and fire protection piping
- Works on wood and metal studs
- 16 GA. steel to meet NEC 300-4(b)(2)
- Breakable tabs permit multiple plates to be ganged together
- Corrosion resistant zinc phosphate coating

### INSTALLATION TOOLS

Use any of the tools below



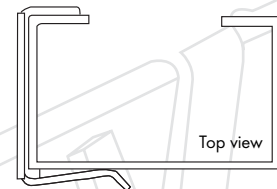
Hands only



When installing on double stud:

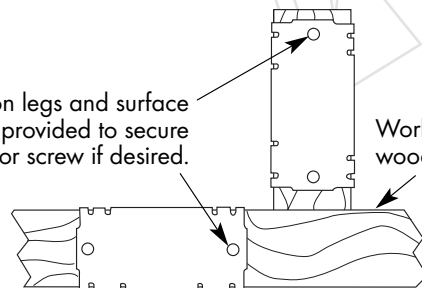
1. Break off legs.
2. Position two plates next to each other as shown.
3. Nail or screw to stud.

When installing on metal stud, legs must grip stud as shown.



Note: Holes on legs and surface of plate are provided to secure with nail or screw if desired.

Works on metal or wood sole plate.



Catalog #	Material	Finish*	Box/Case Qty.
304B2	16 GA. steel	ZP	100/600

\* See page 3 for Finish and Material Descriptions.