

Commercial Grade



Back and Side Wired 120/277V AC

DESCRIPTION	15 AMP	20 AMP	ROCKER & FRAME COLOR*
			<i>Basic Cat. No. Denotes Mahogany</i>
Single-Pole	5691-2	5621-2†	I, W, A, GY, E
Double-Pole	—	5622-2	I, W, A, GY, E
Three-way	5693-2	5623-2†	I, W, A, GY, E
Four-way	—	5624-2	I, W, A, GY

†Available in Red (-R)



SPECIFICATIONS & FEATURES

Back and Side Wired

- Full rated current capacity with tungsten, fluorescent or resistive loads. Motor capacity is 80% of switch rating
- Back and side-wiring terminals accept both solid and stranded wire to ease installation
- New architecturally-styled smooth-action concave rocker
- Heavy-duty impact-resistant thermoplastic construction for long service life in commercial applications
- Two ground connection options: a green grounding screw and a self-grounding clip
- For Canadian 347V Decora Plus Switches, see page A33

TESTING & CODE COMPLIANCE

- UL Listed (File #E-7458)
- CSA Certified (File #LR-3413)
- NOM Certified (#057)
- Compliance with the latest Federal Specification WS-896
- Backed by a Limited 10-Year Warranty

*COLOR

Back and Side Wired

Colors available as listed. For other color selections, add suffix to catalog numbers as follows: Ivory (-I), White (-W), Almond (-A), Gray (-GY), Black (-E), Red (-R).

Imprinted Decora Switches

Custom orders available in Ivory (-I), White (-W).

HORSE POWER

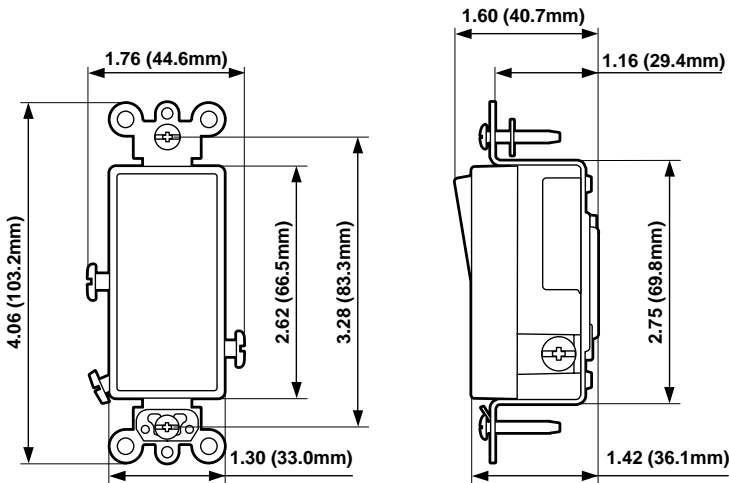
15A	20A
1/2 @ 120V	1 @ 120V
2 @ 240V	2 @ 240V

MATERIAL CHARACTERISTICS

Environmental: Flammability UL-94, V2 Rating

Operating Temperature: -40°C to 120°C

For more information regarding matching wallplates, colors, materials, single and multi-gang, refer to Wallplates, section G.



SINGLE POLE
Cat. Nos. 5621-2 & 5691-2

THESE DIMENSIONS APPLY TO ALL SWITCHES ON THIS PAGE

