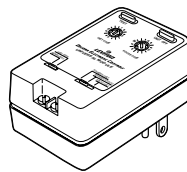


DHC Powerline Carrier Receivers

DESCRIPTION

CAT. NO.

Universal Low Voltage Module — Almost any device operated at low voltages can now be automated using the 6337. This receiver interfaces between the low voltage device and the 120V AC wiring network. It receives an ON or OFF command from DHC Transmitters and can operate sprinkler systems, designated lighting, skylight closures, heating systems, garage door openers and other lighting and motor loads. Simply connect LV wiring to the screw terminal on the module and plug it into any 120V wall outlet.



6337



6337

In addition to switching contacts, the 6337 has a built-in alarm that can be set to sound whenever the switch contacts are closed. The 6337 can be set to operate the relay only, the alarm only, or both the relay and the alarm.

The 6337 can also be set for momentary operation so that the relay and/or the alarm will be turned on for approximately two seconds in response to any ON command. Does not respond to ALL LIGHTS ON or DIM/BRIGHT commands.

Rated: 120V 60Hz AC only. **Contacts:** 5A 12V DC, 100VA 30V DC Inductive

Scene-Capable Plug-In Lamp Module with One-Button Programming — Provides 1-button programming through address capturing. Provides remote ON/OFF switching, manual ON switching, and remote full-range dimming for plug-in incandescent lamps. No wiring necessary; plugs into 15 Amp AC outlet. Allows local control of any lamp plugged into it. Available in White (-W) only. Provides Scene Control capability when used with DHC Scene Controller HCCS7-1TW and HCCPG-1TW DHC Toscana Deluxe Programmer. Also backward compatible with 16400/16450-S and 16400/16450-SD DHC Scene Controllers. Equipped with Leviton's IntelliSense® advanced circuitry for the utmost in reliability, even where electrical "noise" exists on the power line. Responds to ON, OFF, DIM, BRIGHT, ALL LIGHTS ON/ALL OFF and SCENE LIGHTING commands.



HCP03-10W



HCP03-10W

Rated: 120V 60Hz, 300W Incandescent

All devices are UL Listed and CSA Certified.

SPECIFICATIONS & FEATURES

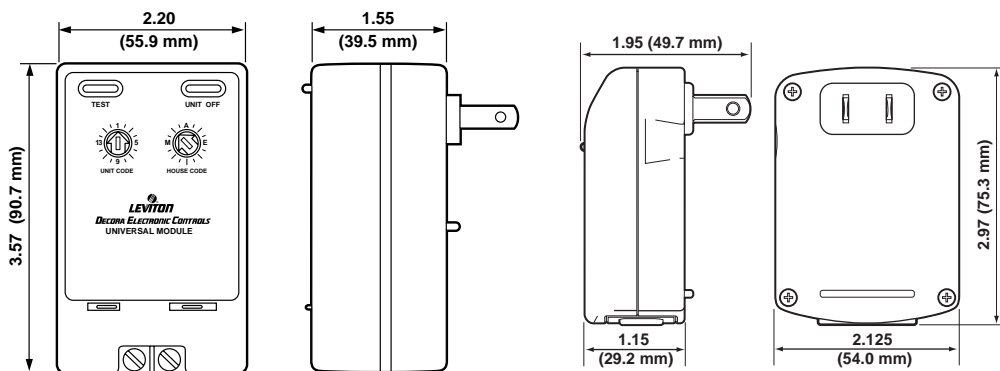
- Universal Low Voltage Module can automate devices operated at low voltages such as sprinklers, skylights, and heating/AC systems
- Plug-in Lamp Module adds convenience of DHC remote ON/OFF and DIM/BRIGHT control plus scene capability to plug-in incandescent lamps
- Backed by a Limited Two-Year Warranty

TESTING & CODE COMPLIANCE

- UL Listed (File #E-66800)
- CSA Certified (File #LR-54628)
- NOM Certified (#057)
- UL 244A Tested (and others where appropriate)

MATERIAL CHARACTERISTICS

Environmental: Flammability (Engineering Thermoplastic) UL-94, V2 Rating
Operating Temperature: -40°C to 120°C



UNIVERSAL LOW VOLTAGE MODULE
Cat. No. 6337

PLUG IN LAMP RECEIVER
Cat. No. HCP03-1SW

