



DHC Powerline Carrier Wall Switch Controllers with 2-Way Communication

| DESCRIPTION  | CAT. NO.               |
|--|------------------------|
| <p><b>One-Address ON/OFF Controller</b> — One ON/OFF rocker transmits ON/OFF commands to one address. Illuminated green LED at bottom of face indicates unit is On. (Note: Shipped in White only. Order color change kit for Ivory and Almond)</p>   | <p>HCC10-1TW<br/> </p> |
| <p><b>ALL LIGHTS ON/ALL OFF Controller</b> — One ALL LIGHTS ON/ALL OFF rocker transmits commands to all receivers set to the same letter code as this transmitter. Provides "Panic Button" lighting control for safety and security. NOTE: Receptacle receivers and Universal Low-Voltage Module (6337) will not respond to ALL ON command. Illuminated green LED at bottom of face indicates unit is On. (Note: Shipped in White only. Order color change kit for Ivory and Almond)</p> | <p>HCC1A-1TW<br/> </p> |
| <p><b>One-Address Dimming Controller</b> — One ON/OFF rocker transmits ON/OFF commands to one address in the same letter code group as this transmitter switch while the built-in arrow-shaped rocker transmits BRIGHT/DIM commands to that same address. Illuminated green LED at bottom of face indicates unit is On. (Note: Shipped in White only. Order color change kit for Ivory and Almond)</p>   | <p>HCC1D-1TW<br/> </p> |
| <p><b>Two-Address Dimming Controller</b> — Two sets of ON/OFF buttons transmit ON/OFF commands to two sequential addresses in the same letter code group as this controller. One set of BRIGHT/DIM buttons transmits BRIGHT/DIM commands to the most recently selected address. (Note: Shipped in White only. Order color change kit for Ivory and Almond). See page B4 for dimensional drawing of HCC2D-1TW. See page B4 for dimensional drawing of HCC2D-1TW.</p>                      | <p>HCC2D-1TW<br/> </p> |

All devices are UL Listed and CSA Certified.

No more than 4 Controllers should be installed on a single branch circuit.



**SPECIFICATIONS & FEATURES**

- Fit in standard wallboxes and replace regular switches to provide DHC control capability as indicated in "Description"
- 2-Way Communication allows status of receivers changed manually to be reflected in the controller and allows computer-based controllers to register a status update
- Exclusive Intellisense™ technology for transmitting clear command signal without noise interference
- Uses existing 120V AC 60Hz wiring to send command signals
- Compatible with Decora screwless and standard Decora wallplates
- Green LED illuminates to confirm ON command is sent
- Decora styling coordinates with Leviton's popular Decora line; complements any interior
- Backed by a Limited Two-Year Warranty

**TESTING & CODE COMPLIANCE**

- UL Listed (File #E-66800)
- CSA Certified (File #LR-54628)
- UL 224A Tested (and others as appropriate)

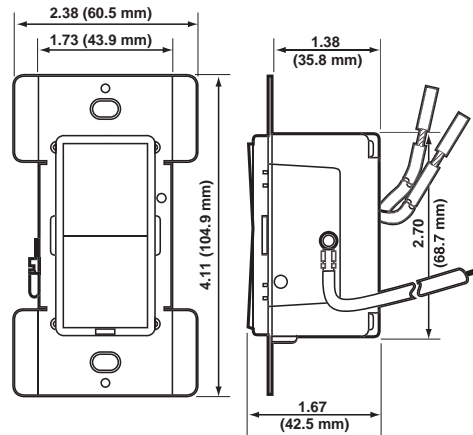
**COLOR**

All devices are shipped in White only. See page B4 for compatible color change kits.

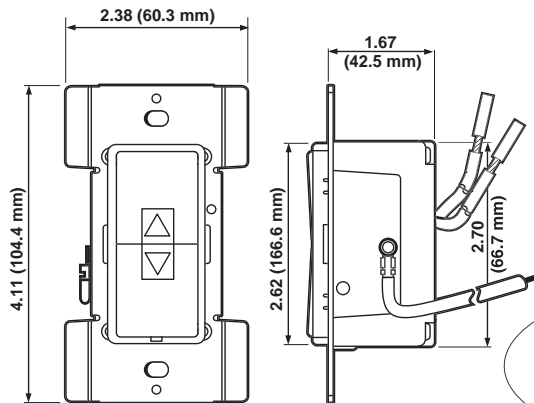
**MATERIAL CHARACTERISTICS**

Environmental: Flammability (Engineering Thermoplastic) UL-94, V2 Rating  
 Operating Temperature: -40°C to 120°C

**Note:** A Cat. No. HCA02-10E System Amplifier must be installed in all panels in every DHC installation to ensure adequate signal strength.



DHC CONTROLLER  
 Cat. Nos. HCC10-1TW and HCC1A-1TW



DHC CONTROLLER  
 Cat. No. HCC1D-1TW

