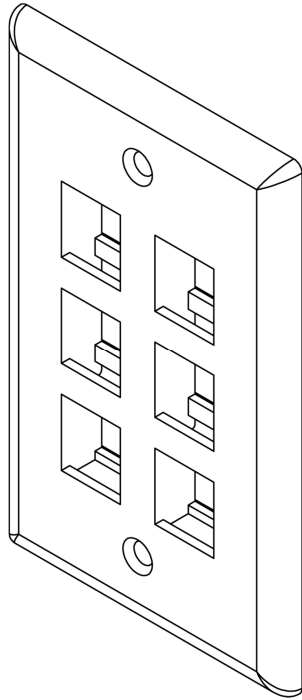


6-Port Single Gang Flat Faceplate

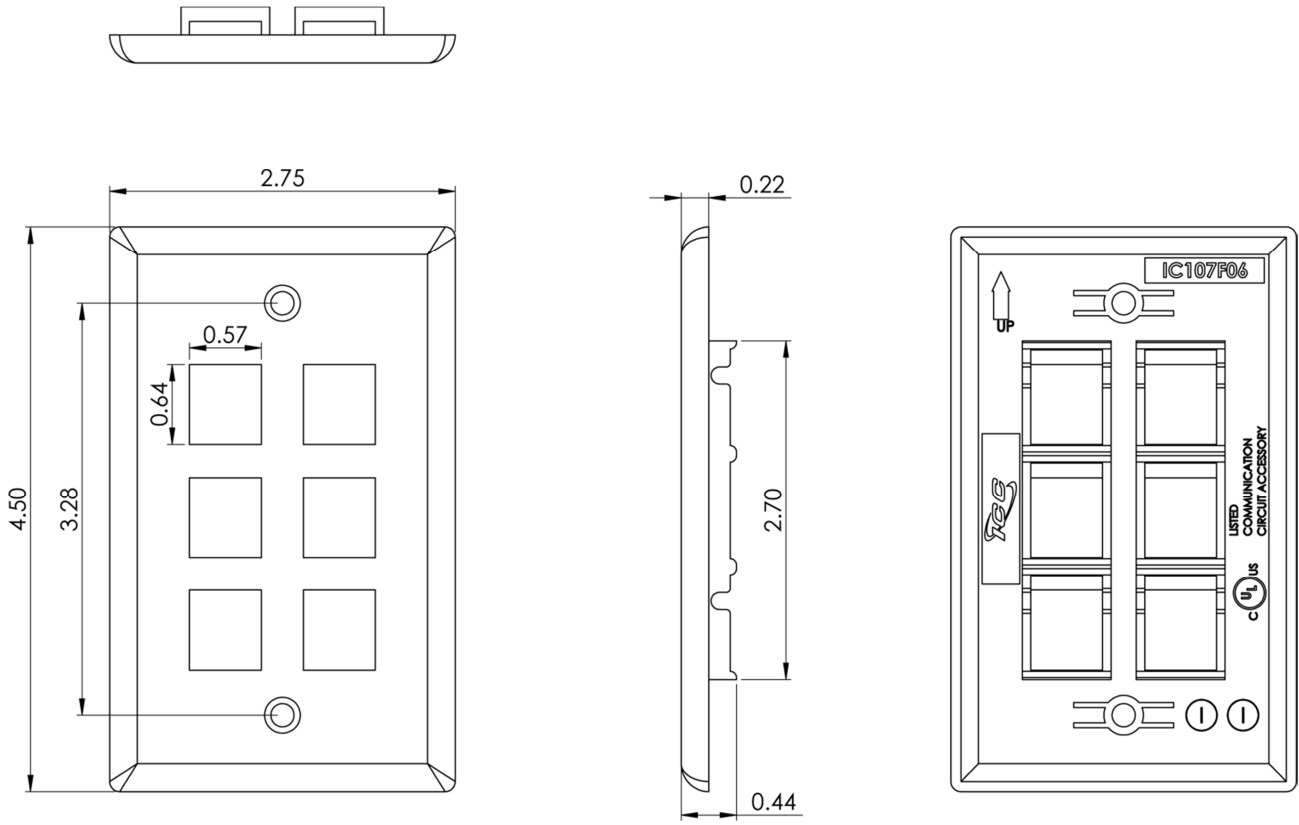


Package Includes:

- A. 6-Port Single Gang Flat Faceplate, **1 Piece**
- B. #6-32 x 3/4" Oval Head, Countersink, Deep Slotted Drive, Machine Screw, **2 Pieces**

Features and Benefits

- Configured to fit standard single gang outlet box
- Designed to support the distribution of voice, data, and other communication needs to the work area for commercial or residential applications
- Rugged and durable construction
- Accommodates a wide variety of easy to snap-in modules, providing configuration flexibility
- Accepts all IC107 modules
- ANSI/TIA-568-C and UL 1863 compliant
- Available in Almond, Black, Gray, Ivory, and White
- Country Of Origin: Taiwan
- TAA Compliant



Specifications

- Material: ABS, UL94V-0
- Finish: Texture
- Color: XX: AL-Almond, BK-Black, GY-Gray, IV-Ivory, & WH-White



Part No: IC107F06xx
 Rev: B
 Page 2 of 2

| 888-ASK-4ICC | icc.com | csr@icc.com |



© Copyright 2018, ICC. This document and the designs, specifications and information contained herein are the property of ICC. Reproduction, modification, alteration or unauthorized use without ICC's approval is strictly prohibited. ICC and the ICC logo are registered trade name and trademark of ICC. All rights reserved.