

QuickPort® Fiber Optic Adapters

ST®, FC, SC, LC and MT-RJ

APPLICATION

Voice/data/image connectivity for workstation cabling termination on coaxial or multimode fiber cable. QuickPort® bulkhead modules snap into any housing with the QuickPort name—flush and surface mount outlets; Multimedia Outlet System (with adapter); patch panels; and patch blocks.

STANDARDS COMPLIANCE

ST, FC, SC, LC
 & MT-RJ Adapters: UL Listed; NOM and ACA certified; compliant with TIA-568-B.3 and EIA/TIA 604.

PERFORMANCE SPECIFICATIONS

Materials: Snap-in module bodies are high-impact, fire retardant plastic rated UL 94V-0.

ST® Adapter: Singlemode/multimode zirconia sleeve
 Singlemode/multimode phos. bronze sleeve

FC Adapter: Singlemode/multimode zirconia sleeve
 Singlemode/multimode phos. bronze sleeve

SC Adapter: Singlemode/multimode zirconia sleeve
 Singlemode/multimode phos. bronze sleeve

LC Adapter: Singlemode/multimode zirconia sleeve
 Singlemode/multimode phos. bronze sleeve

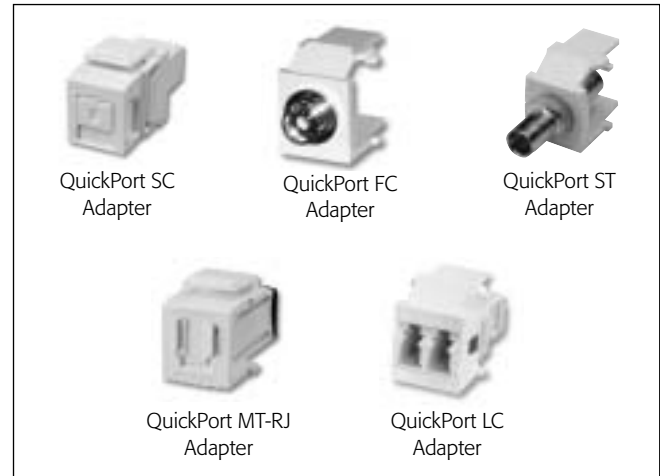
MT-RJ: MT-RJ coupling

Dimensions: ST Fiber Adapter: .659" h x .600" w x 1.3" d
 FC Fiber Adapter: .83" h x .64" w x 1.01" d
 SC Fiber Adapter: .985" h x .576" w x 1.354" d
 LC Fiber Adapter: .644" h x .575" w x 1.414" d
 MT-RJ Adapter: .885" h x .575" w x 1.102" d

DESIGN CONSIDERATIONS

- Adapters snap into QuickPort housings.
- ST, FC, SC & LC QuickPort Adapters are available in standard colors of ivory, white, grey, black & almond.
- LC & SC QuickPort Adapters are also available in blue for identification in singlemode applications.
- Use in permanent or temporary applications.
- ST, FC, SC & LC QuickPort Adapters are available in zirconia ceramic or phosphor bronze sleeves, and are compatible with singlemode and multimode connectors.

See ELECTRONIC FILES for CAD files (.DXF, .DWG, MS-DOS.EPS) on disk



For ELECTRONIC Typical Specs see (.TXT) file on disk.

WARRANTY INFORMATION

- One-year limited product warranty and a 15-year performance guarantee.
- Product and performance warranties are extended to a Lifetime as part of Leviton's Certified Cabling System.

TYPICAL SPECIFICATION

QuickPort Fiber Optic Adapters for fiber optic cabling media shall be individual snap-in style and shall fit into QuickPort housings. The ST, FC, SC and LC Adapters shall be compatible with singlemode and multimode connectors, and available in zirconia ceramic or phosphor bronze sleeves. ST, FC, SC & LC QuickPort Adapters shall be available in standard colors of ivory, white, grey, black & almond. LC & SC QuickPort Adapters shall also be available in blue for identification in singlemode applications. The manufacturer shall provide a one-year limited product warranty and a 15-year performance guarantee which can be extended to a Lifetime if installed as part of a certified cabling system.

QuickPort® Fiber Optic Adapters



For Applications Engineering Support – Call 1-425-485-4288; in USA call 1-800-722-2082
 Spec sheets and updates are also available at www.levitonvoicedata.com.



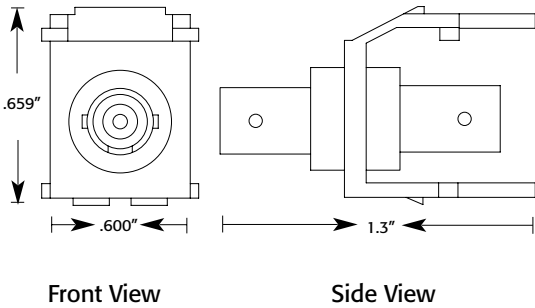
QuickPort® Fiber Optic Adapters

Part Numbers
41084-* 41085-*
49889-QF*

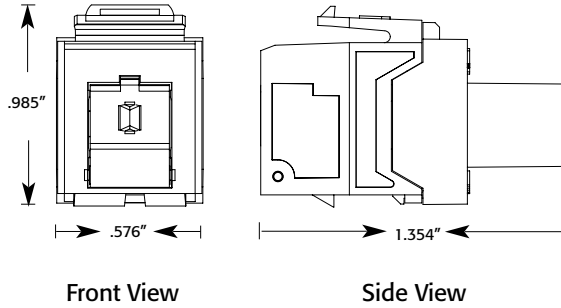
DIMENSIONAL LINE ART

See ELECTRONIC FILES for CAD images
 (.DXF, .DWG, MS-DOS.EPS)

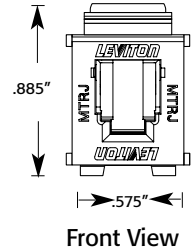
ST QuickPort Adapter



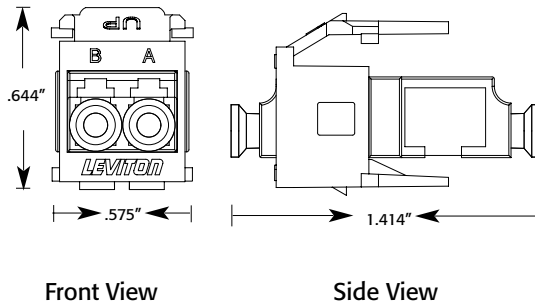
SC QuickPort Adapter



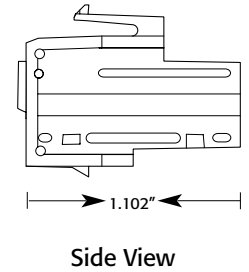
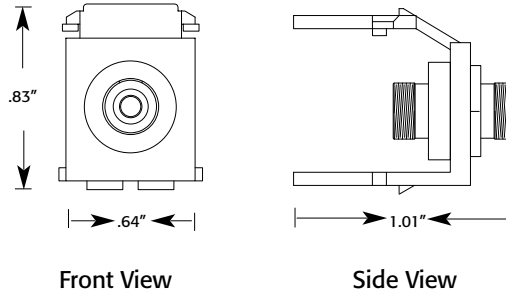
Spectro-Link™ MT-RJ
QuickPort Adapter



LC QuickPort Adapter



FC QuickPort Adapter



PART NUMBERS

QuickPort® Fiber Optic Adapters	Part No.
Spectro-Link MT-RJ QuickPort Adapter, MM, no almond	49889-QF*
ST QuickPort Fiber Optic Adapter, SM/MM, Phos. Bronze Sleeve	41084-S*F
ST QuickPort Fiber Optic Adapter, SM/MM, Zirconia Ceramic Sleeve	41084-S*Z
FC QuickPort Fiber Optic Adapter, SM/MM Phos. Bronze Sleeve	41084-F*P
FC QuickPort Fiber Optic Adapter, SM/MM, Zirconia Ceramic Sleeve	41084-F*Z
SC QuickPort Fiber Optic Adapter, MM, Phos. Bronze Sleeve	41085-S°C
SC QuickPort Fiber Optic Adapter, SM, Zirconia Ceramic Sleeve	41085-M°C
LC QuickPort Duplex Fiber Optic Adapter, Phos. Bronze Sleeve	41085-ML*
LC QuickPort Duplex Fiber Optic Adapter, Zirconia Ceramic Sleeve	41085-SL°

*=Colors: Ivory (I), White (W), Grey (G), Black (E), Almond (A)
 °=Colors: Ivory (I), White (W), Grey (G), Black (E), Almond (A), Blue (B)



For Applications Engineering Support – Call 1-425-485-4288; in USA call 1-800-722-2082.
 Spec sheets and updates are also available at www.levitonvoicedata.com.



2222 – 222nd St. SE • Bothell, WA 98021 USA • Tel: 1-800-722-2082 / 1-425-485-4288 • Fax: 1-425-483-5270 • Int'l Fax: 1-425-485-9170 • GSA# GS-35F-4785G