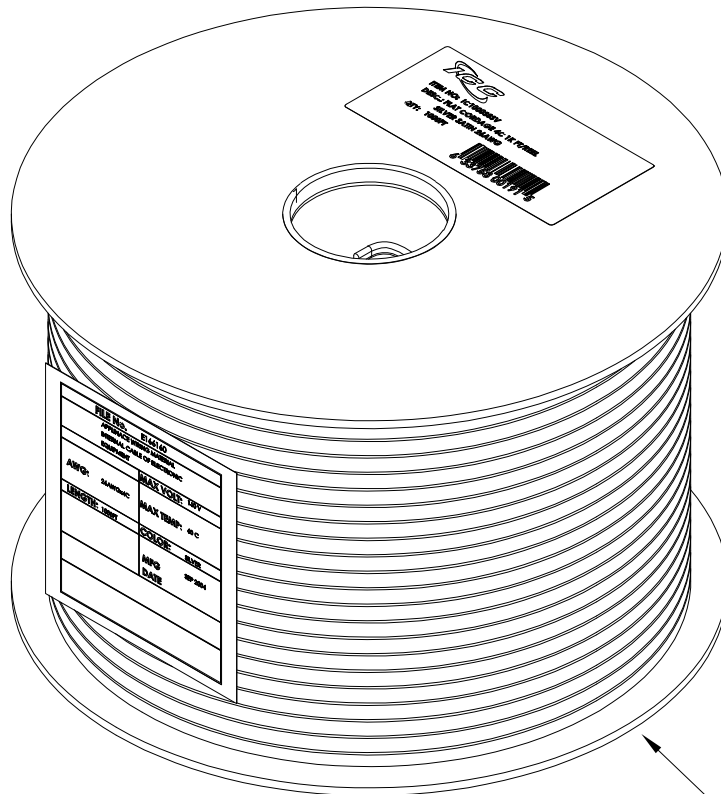


Flat Bulk Cordage 8-Conductor Stranded 1000 Ft.

PRODUCT SPECIFICATION

Package includes:

A. 8-Conductor Stranded Bulk Cordage, 1 Reel



Stranded Bulk Cordage
8-Conductor 1000 ft.

Features and Benefits:

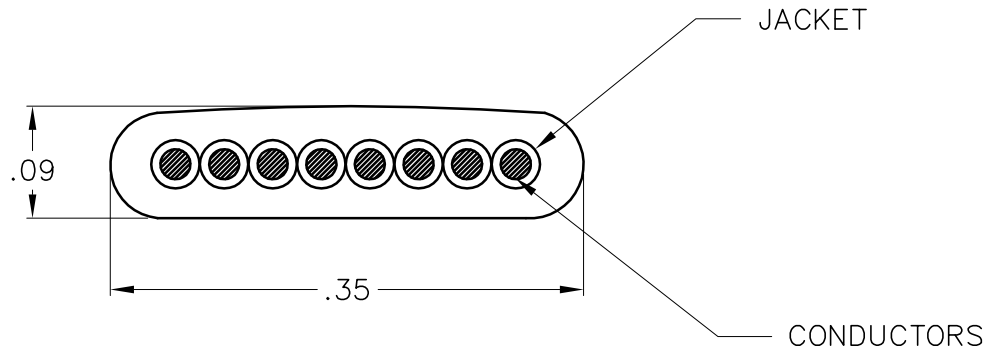
- Designed for voice and low speed data networks.
- 8-conductor (4-pair) flat silver line cord.
- 26 AWG stranded copper wire.
- 1000 ft per reel.
- Available in silver.

BULK CORDAGE, FLAT, 8 CONDUCTOR, 1000 FT

ITEM NO.	IC1000S8SV	REV.	A
DWG NO.	PS1000S8SV	PAGE NO.	1



CUSTOMER CARE / TECHNICAL SUPPORT * CSR@ICC.COM / 888-ASK-4-ICC (275-4422) * 14700 Alondra Blvd., La Mirada, CA 90638 * www.icc.com



NOTE: UNLESS OTHERWISE SPECIFIED

1. RATING AND TEMPERATURE RANGE:
 RATING: 60°C 150 VOLTS PEAK
 CONTINUOUS OPERATING TEMPERATURE RANGE: -10°C TO 60°C
 STORAGE TEMPERATURE RANGE: -10°C TO 60°C

2. CABLE CONSTRUCTION:
 CONDUCTOR:
 MATERIAL: STRANDED, BARE COPPER WIRE
 CONSTRUCTION: 26AWG, 7X34AWG

 INSULATION:
 MATERIAL: POLYPROPYLENE (PP)
 AVERAGE THICKNESS: .0071" MIN
 MINIMUM THICKNESS: .00512" MIN
 OVERALL DIAMETER: .0374" NOM
 COLOR: BROWN, BLUE, YELLOW, GREEN, RED, BLACK, ORANGE, GRAY

 JACKET:
 MATERIAL: FLAME RETARDANT POLYVINYL CHLORIDE (FR-PVC)
 AVERAGE THICKNESS: .0200" MIN
 MINIMUM THICKNESS: .0162" MIN
 OVERALL DIAMETER: .0945"X.3543"±.00394"
 COLOR: SILVER

3. ELECTRICAL PROPERTIES:
 CONTINUITY: NO DISCONTINUITIES THROUGHOUT CONDUCTOR LENGTH
 CONDUCTOR RESISTANCE: 140 OHMS/KM MAX AT 20°C
 INSULATION RESISTANCE: 100 MEGA OHMS/KM MIN AT 20°C
 DIELECTRICAL STRENGTH: 500V/1 MINUTE IN AIR
 SPARK TEST: 2KV IN AIR

BULK CORDAGE, FLAT, 8 CONDUCTOR, 1000 FT			
ITEM NO.	IC1000S8SV		REV. A
DWG NO.	PS1000S8SV		PAGE NO. 2

CUSTOMER CARE / TECHNICAL SUPPORT * CSR@ICC.COM / 888-ASK-4-ICC (275-4422) * 14700 Alondra Blvd., La Mirada, CA 90638 * www.icc.com