

Rack-Mount Fiber Optic Patch Panels

3RU (3 Rack Units High), 6RU (6 Rack Units High)

APPLICATION

For rack-mount fiber applications requiring patching, cross-connect, and/or splicing of singlemode or multimode fibers while utilizing a minimum of rack space.

STANDARDS COMPLIANCE

Meets all applicable standards: UL Listed; meets or exceeds all TIA/EIA-568-B requirements; and meets FCC Part 68.

PHYSICAL SPECIFICATIONS

Materials: Panels are constructed of 16 gauge steel, black color with white lettering. Fiber management rings are made of self-extinguishing plastic rated UL 94V-0. Grommet material is Ensolite™.

Dimensions: 3RU - 5.25"H x 19.0"W x 12.0"D, three rack units high.
6RU - 10.44"H x 19.0"W x 12.0"D, six rack units high.

Connectors: Accepts all Leviton fiber mounting plates, see chart on back for number of fibers in various configurations.

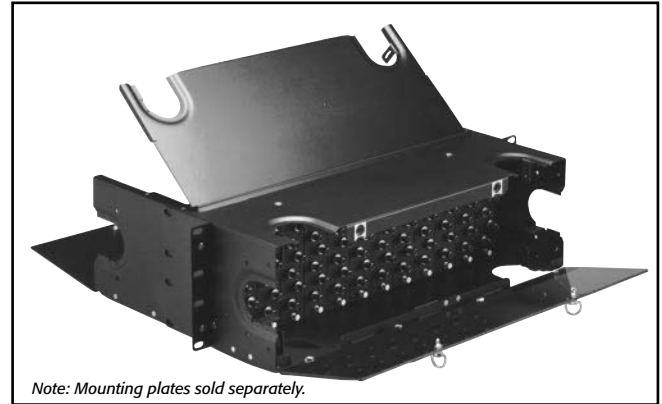
DESIGN CONSIDERATIONS

- Panels are empty. Order mounting plates and adapters separately.
- Specify the type of mounting plates to be installed in the panel.
- Specify if splicing is to be used, and if so, what type.
- Recommend that panels be arranged to allow future growth.
- Designation stickers allow identification of port assignments.
- Panels are capable of storing up to 3 meters of 900 micron tight buffered fiber per adapter.
- Door options: Metal, smoked polycarbonate, or metal door with lock (default configuration is lock on front door only).
- Specify if lock is required on rear or both doors.
- Includes hardware kit with Hook and Loop ties, push-pull locks screws, a caution label, and cable ties.
- Specify width of rack or cabinet, mounting ears are adjustable for 19" (standard) or 23" (optional) mounting.

UNIQUE FEATURES

- Self-healing grommet material at all cable entry/exit points.
- Ingress/egress slots on the front, rear and sides allow cable to enter the box from any direction.
- Removable front and rear doors.
- Includes 8 (3RU) or 16 (6RU) plastic blank mounting plates

See ELECTRONIC FILES for CAD files (.DXF, .DWG, MS-DOS.EPS) on disk



Note: Mounting plates sold separately.



- to inexpensively fill unused areas.
 - Dual stackable and adjustable fiber management rings.
- See ELECTRONIC FILES for CAD files (.DXF, .DWG, MS-DOS.EPS) on disk

TYPICAL SPECIFICATION

The patch panel shall accommodate fiber adapters in 5.25" (3RU) or 10.5" (6RU) rack space. Adapters shall be mounted on metal plates, and attached to the patch panel using plastic plungers. The mounting plates shall have a port designation number stamped into the metal near the adapter. The doors must also open to less than 90 degrees and be designed to be used as a work surface. There shall be vertical ingress/egress features in the form of slots in the top, bottom and sides of the panel, both front and rear. All ingress/egress slots shall be covered with a self adhesive UL 94V-0 rated grommet material. The panel shall provide strain relief in the form of a grounding lug and multiple tie wrap points. The panel must have mounting ears that allow mounting on 19" or 23" hole centers in either a mid- or flush-mount configuration. The panel shall have dual plastic rings made of high impact UL 94V-0 rated self-extinguishing plastic. These rings must be stackable and adjustable. A port identification label/card shall be provided. The panel shall be made of 16 gauge steel, painted black. A one-year limited warranty shall be provided by the manufacturer. A lifetime warranty against defects in material and workmanship shall be provided by the manufacturer for this unit when installed in a certified system.

WARRANTY INFORMATION

- One-year limited product warranty is standard.
- Product warranty is extended to a Lifetime with a 15-year performance guarantee when the product is installed as part



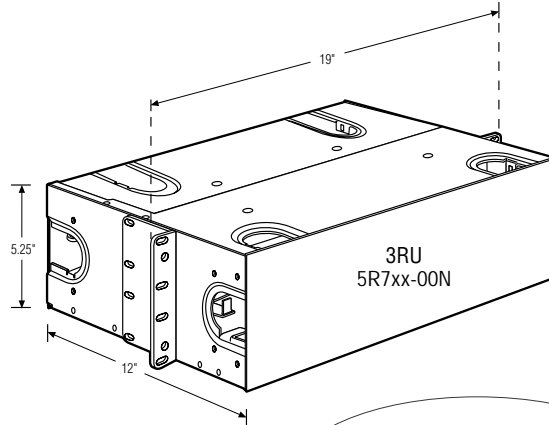
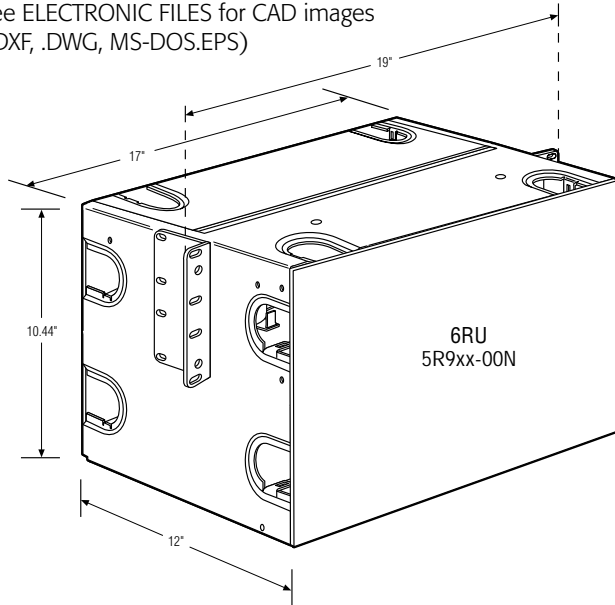
For Applications Engineering Support – Call 1-425-485-4288; in USA call 1-800-722-2082
Spec sheets and updates are also available at www.levitonvoicedata.com.

Rack-Mount Fiber Optic Patch Panels

Part Number
5R7xx-00N 5R9xx-00N

DIMENSIONAL LINE ART

See ELECTRONIC FILES for CAD images
 (.DXF, .DWG, MS-DOS.EPS)



FIBER DENSITY CHART

RACK-MOUNT OPTIONS

Low Profile 1RU

Holds 1 High-Density Bulkhead w/ or w/out 2 Mounting Plates
 6-pack ST or FC = up to 12 Fibers
 8-pack ST or FC = up to 16 Fibers
 3-pack Duplex SC = up to 12 Fibers
 6-pack SC = up to 24 Fibers
 6-pack MT-RJ = up to 24 Fibers
 12-pack MT-RJ = up to 48 Fibers

2RU

Holds up to 6 Mounting Plates
 6-pack ST or FC = up to 36 Fibers
 8-pack ST or FC = up to 48 Fibers
 3-pack Duplex SC = up to 36 Fibers
 6-pack SC = up to 72 Fibers
 6-pack MT-RJ = up to 72 Fibers
 12-pack MT-RJ = up to 144 Fibers

3RU

Holds up to 12 Mounting Plates
 6-pack ST or FC = up to 72 Fibers
 8-pack ST or FC = up to 96 Fibers
 3-pack Duplex SC = up to 72 Fibers
 6-pack SC = up to 144 Fibers
 6-pack MT-RJ = up to 144 Fibers
 12-pack MT-RJ = up to 288 Fibers

6RU

Holds up to 24 Mounting Plates
 6-pack ST or FC = up to 144 Fibers
 8-pack ST or FC = up to 192 Fibers
 3-pack Duplex SC = up to 144 Fibers
 6-pack SC = up to 288 Fibers
 6-pack MT-RJ = up to 288 Fibers
 12-pack MT-RJ = up to 576 Fibers

WALL-MOUNT OPTIONS

Small

Holds up to 2 Mounting Plates
 6-pack ST or FC = up to 12 Fibers
 8-pack ST or FC = up to 16 Fibers
 3-pack Duplex SC = up to 12 Fibers
 6-pack SC = up to 24 Fibers
 6-pack MT-RJ = up to 24 Fibers
 12-pack MT-RJ = up to 48 Fibers

Medium

Holds up to 4 Mounting Plates
 6-pack ST or FC = up to 24 Fibers
 6-pack ST or FC = up to 32 Fibers
 3-pack Duplex SC = up to 24 Fibers
 6-pack SC = up to 48 Fibers
 6-pack MT-RJ = up to 48 Fibers
 12-pack MT-RJ = up to 96 Fibers

Large

Holds up to 12 Mounting Plates
 6-pack ST or FC = up to 72 Fibers
 8-pack ST or FC = up to 96 Fibers
 3-pack Duplex SC = up to 72 Fibers
 6-pack SC = up to 144 Fibers
 6-pack MT-RJ = up to 144 Fibers
 12-pack MT-RJ = up to 288 Fibers

PART NUMBER

<i>Rack-Mount Panels, 3 Rack Units High (3RU)</i>	<i>Part No.</i>
5.25" H x 19.0" W x 12.0" D U	
3RU, Empty with metal door, no lock	5R730-00N
3RU, Empty with metal door and one lock/key	5R740-00N
3RU, Empty with smoked polycarbonate door, no lock	5R760-00N
<i>Rack-Mount Panels, 6 Rack Units High (6RU)</i>	<i>Part No.</i>
10.5" H x 19.0" W x 12.0" D U	
6RU, Empty with metal door, no lock	5R930-00N
6RU, Empty with metal door and one lock/key	5R940-00N
6RU, Empty with smoked polycarbonate door, no lock	5R960-00N
<i>Add-On Slide Rail Kit</i>	<i>Part No.</i>
Slide rail kit for 3RU or 6RU fiber Rack-Mount panels only	5S100-SLM
<i>Replacement Door</i>	<i>Part No.</i>
Add security to an existing door for this panel—simply remove the black plastic plug on the door front, and replace with lock mechanism. Lock and Key	5L000-LOK

ACCESSORIES

<i>Description</i>	<i>Part No.</i>
3.5" Metal Door	5D000-3RM
3.5" Poly Door	5D000-3RP
12 Splice Ditel Fusion Splice Tray Kit	5T000-00T
Fibrok™ Splice Holder	5T000-3MT
AT&T Rotary Splice Holder	5T000-ATT
Lock and Key	5L000-LOK
Additional Fiber Rings (package of 2)	5R100-0FR
Slide Mounts (kit)	5S100-SLM

For Applications Engineering Support – Call 1-425-485-4288; in USA call 1-800-722-2082.
 Spec sheets and updates are also available at www.levitonvoicedata.com.



2222 – 222nd St. SE • Bothell, WA 98021 USA • Tel: 1-800-722-2082 / 1-425-485-4288 • Fax: 1-425-483-5270 • Int'l Fax: 1-425-485-9170 • GSA# GS-35F-4785G