



Residential Grade



Home Automation Products

DHC Powerline Carrier Controllers

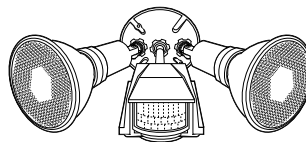
DESCRIPTION

CAT. NO.

Passive Infrared Controller — A motion-sensing light control ideal for use in outdoor locations, such as backyards, garages and storage buildings. Built-in infrared sensing technology monitors 4,000-sq. ft. field, 110 degrees wide, up to 40 feet in front of unit. When the 6417 senses motion in its field of view, it can respond by sending two types of signals: ON commands to Receivers set to control lights at four sequential system addresses, and MOTION DETECTED signals to other 6417's set to the same address. As long as the source of infrared radiation remains in the 6417 sensor field, it continues to send ON signals every six seconds to these addresses, providing the convenience of continuous illumination along a path from a garage to an entranceway, or around an entire residence, if desired. It can also turn on an inside lighting fixture as well as outdoor fixtures to help deter intruders.

The 6417 is encased in a moisture-resistant housing. The control panel includes sensitivity adjustments to prevent nuisance tripping by small animals and a time delay to set the length of time the lights stay on (6 seconds to 30 minutes). Manual override of the 6417 controller can be achieved with the use of an HCC10-1TW Controller.

Passive Infrared Transmitter installs easily into standard round outdoor junction box and comes complete with mounting plate, control unit, par lampholders and complete installation and operating instructions. Color: Brown.



6417



6417

Photocell Controller — Automatically senses approaching darkness and responds by sending ON commands to as many as four groups of DHC Receivers (all receiver modules in each group must be set to the same Letter Code). The Receiver Modules respond by turning lights ON inside or outside the home. The 6308 will also transmit OFF commands in response to a user-selected number of hours that it's been ON, or in response to approaching daylight. The Receivers respond by turning their assigned lighting loads inside or outside the home OFF. The 6308 mounts on a standard round or GEM electrical box. Color: Gray.



6308



6308

All devices are UL Listed only, not CSA Certified.

SPECIFICATIONS & FEATURES

- DHC Passive Infrared Sensor/Transmitters can work alone or in multiple arrays to turn on designated lighting inside and outside the home when motion is detected for improved security and safety
- Up to four transmitters can be wired into a single branch circuit
- Photocell Sensor/Transmitters can add "night watchman" automated switching capability to any DHC network
- Backed by a Limited Two-Year Warranty

TESTING & CODE COMPLIANCE

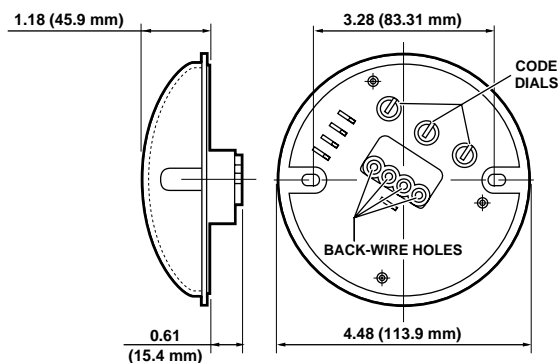
- UL Listed (File #E-66800)
- NOM Certified (#057)
- UL 224A Tested (and others as appropriate)

COLOR

Colors available as listed.

MATERIAL CHARACTERISTICS

Environmental: Flammability (Engineering Thermoplastic) UL-94, V2 Rating
Operating Temperature: -40°C to 120°C



PHOTOCELL TRANSMITTER
Cat. No. 6308

