

MK-DGV

Vandal Resistant Video Door Station

DESCRIPTION:

The MK-DGV is a vandal resistant video door station designed for use with any of Aiphone's MY or MK series video systems. It features a PanTilt CCD camera with infrared illumination, and voice communication with the inside station.

The faceplate is constructed of 1/8" thick stainless steel, and the camera cover is shatter resistant Lexan®. The MK-DGV is flush mounted, or it can be surface mounted with the SBX-DGV. Tamper proof screws and a tool are included.

FEATURES:

- Video door station with PanTilt, CCD camera
- Camera can be moved to view 70" horizontally and 35" vertically
- Infrared illumination for low light viewing (1 lux)
- Camera cover is Lexan® -- flame and shatter resistant
- Flush mounting backbox is included
- Surface mount backbox is available (SBX-DGV)
- Works with any Aiphone MY PanTilt video system or MK fixed camera system

MK-DGV**SOME APPLICATIONS:**

- *Restaurant and Retail Rear Entry Doors*
- *Schools*
- *Commercial Facilities*
- *Prisons and Jails*
- *Gates*
- *Factories / Warehouses*

SPECIFICATIONS:

Power Source:	Supplied by main monitor or video adaptor
Camera Unit:	CCD (charged coupled device)
Scanning Lines:	525 lines
Image Viewing Area:	26" horizontally and 18" vertically at approx. 20" from camera
Minimum Illumination:	1 Lux
Calling:	Chime or call tone heard at inside station(s). Monitor(s) turn on when call button is pressed
Communication:	Hands free at camera unit
Wiring Distance:	330' with Aiphone #841802 wire (18AWG 2 cond. non-twisted, non-shielded) Do not use coax. Use MYW-BA and Aiphone wire #851602 for up to 980'.
Dimensions (HxWxD):	10-3/8" x 7-5/8" x 5/8" (Outer panel dimensions)
Mounting:	Flush mount: 9-1/16" x 6-1/8" x 2-11/16" (ABS plastic backbox is included) Surface mount with SBX-DGV: 10-3/8" x 7-7/16" x 3-1/4" (top), 2-1/2" (bottom)



MK-DGV

Vandal Resistant Video Door Station

VIDEO SYSTEM:

Compatible Monitors

MK-1MD/A	Monitor, Fixed camera
MY-1CD	Main Monitor, PanTilt (Max. 1 camera, 1 monitor)
MY-2CD	Main Monitor, PanTilt (Max. 2 cameras, 2 MYH-2CD's)
MY-CU	Main Monitor
MYH-CU	Sub Monitor (w/MY-CU)

Compatible Video Adaptors

MYW-P1L	1-camera Adaptor for LEF/MY
MYW-P3L	3-camera Adaptor for LEF/MY
MYW-P10L	10-camera Adaptor for LEF/MY
MYW-P3CB	3-camera Adaptor for IE/TD-H
TB-ADM10	TB-M system with Video Entry

Video Accessories

MYW-BA	Long distance adaptor for Cameras (Requires use of Aiphone wire #851602)
KC-32EU	Picture Memory Unit (for use with MY-1CD or MY-2CD only)

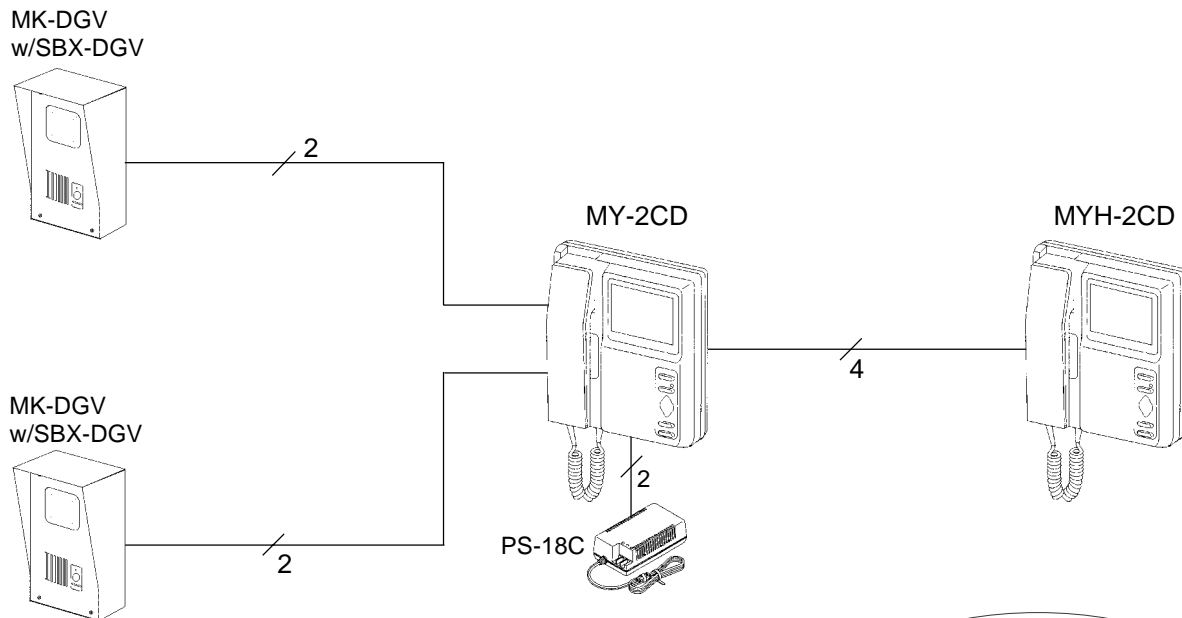
Other Accessories

SBX-DGV	Surface mount box for MK-DGV
MCW-S	Desk stand for monitor
MCW-2S	Desk stand for MY/IE or MY/TD-H

Power Supplies

PS-18C	18V DC, 2A, UL listed
PS-18YC/A	18V DC, 1.2A, UL listed

SYSTEM LAYOUT EXAMPLE:



ARCHITECTS/ENGINEERS' SPECIFICATIONS:

The unit shall be a flush mounted vandal resistant audio video door station, Aiphone model MK-DGV. The unit shall have a panning range of 70" and a tilting range of 35". The unit shall be equipped with a speaker/microphone for 2-way communication with the inside station(s). The unit shall semi-flush mount into a 3-gang electrical box mounted vertically, or surface mount with the SBX-DGV.

The video door station shall contain a CCD camera with LED illumination for low light conditions. Infrared illumination

shall provide a visible image at one lux of light when the object is within 20" of the front of the camera.

The unit shall feature a 1/8" thick stainless steel faceplate and a shatter resistant Lexan® dome to protect the camera unit. Tamper proof screws for mounting and a wrench for installation shall be provided.

Unit shall be manufactured by Aiphone.