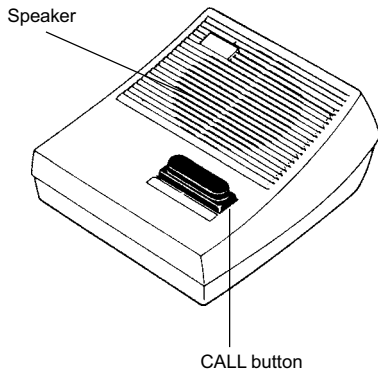


AS-Series Sub Stations

For use with AP-M and MP-S Systems

AS-3A



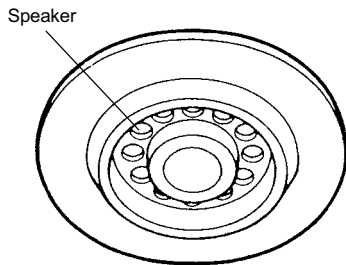
AS-3A FEATURES:

- Push button to call master station
- Call-in activates tone at master
- Call-in LED remains activated for 20 seconds after call button is released (MP-3S, AP-5M/10M only)
- Hands free communication when master answers
- Desk or wall mount (to 1-gang box or ring)

COMMON SPECIFICATIONS:

System: AP-M or MP-S
Speaker: 20 ohms
Communication: Hands free at sub
Conductors: 1 pair homerun per sub
Use Aiphone wire #832202
Wiring Distance: AP-M: 490' w/22AWG; 1200' w/18AWG
MP-S: 330' w/22AWG; 720' w/18AWG
Dimensions: 7" x 5-13/16" x 3-1/16" (H x W x D)

AS-3N



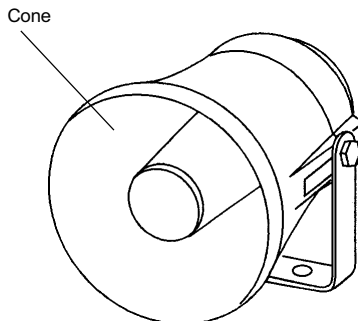
AS-3N FEATURES:

- Overhead hands free communication with master station
- Remote push button to call master station (optional)
- Call-in activates tone and light at master
- Call-in LED remains activated for 20 seconds after call button is released (MP-3S, AP-5M/10M only)
- Flush mounts in ceiling with provided equipment

Common Specifications, plus:

Call button: Optional NP-B (with NP-W surface box if req'd)
Mounting: Flush mount in ceiling
Dimensions: 7-1/16" x 1-7/8" (Diameter x Depth)

AH-108



AH-108 FEATURES:

- Hands free communication with master station
- Remote push button to call master station (optional)
- Weather proof, heavy duty construction
- 8Ω, 10W horn with built-in non-polarized capacitor
- All metal weather proof construction for indoor or outdoor use
- Universal swivel mount base
- Beige baked enamel finish

Common Specifications, plus:

Call button: Optional NP-B (with NP-W surface box if req'd)
Power Handling Capacity: 10 Watts (Continuous)
Impedance: 8Ω
Dispersion Angle: 120°
Sensitivity as a microphone: -26dBm
(Re: 10 dynes/cm²)
Dimensions: 6-1/8" Bell x 6-1/2" Deep

