

SSP-511 TELEPHONES

Vandal Resistant, Stainless Steel Panel Speakerphones Built to Last

The CEECO SSP-511 Series speakerphones offer dependable emergency, courtesy, and public communication. The stainless steel speakerphones are designed to withstand abuse and are equipped with a marine quality chrome tone keypad (F model), weatherproof and puncture resistant speaker, and industrial grade electronic ringer and push button. The program features allow over 30 programmable speed dial numbers, and a start/stop push button for initiation and termination of calls. The handsfree operation eliminates out of service complaints and costly repairs due to missing handsets. Automatic disconnect circuits ensure that the telephone will not be left in the "off-hook" position. The telephone can allow/ disallow incoming calls and time out calls if desired. The ADA feature provides a LED that changes color to give the caller a visual indication of the call progress and is equipped with a Braille Emergency plate and red push button. The telephone is constructed of 16 gauge brushed stainless steel and fits in both the WPP (weatherproof) and HOB (open enclosure) housing or can be flush mounted into a customer designed mounting. Our stainless steel panel telephones offer communication you can rely on and are built to last.



FEATURES

- Stainless Steel Panel
- ADA Features available on all models
- Phone can't be left off-hook. Phone resets itself when called party disconnects
- Handsfree operation with adjustable conversation timer and call restrictions
- Available with keypad, autodial, and ring-down operation
- Analog or VoIP, Line Powered
- 1 Year Warranty



MODELS & OPTIONS

IP-	Voice over Internet Protocol
SSP-511-D	Vandal resistant, stainless steel, handsfree panel speakerphone with push button automatic dialer.
SSP-511-D2	Vandal resistant, stainless steel, handsfree panel speakerphone with push button automatic dialer that will dial a second number if there is no answer at first number autodialed.
SSP-511-DD	Vandal resistant, stainless steel, handsfree panel speakerphone with two push button auto dialers.
SSP-511-F	Vandal resistant, stainless steel, handsfree panel speakerphone with chrome tone keypad.
SSP-511-X	Vandal resistant, stainless steel, handsfree panel speakerphone with push button ring-down operation.
-ADA	Equipped with Braille emergency plate and red button. LED light is on all units.
301-037	Security tool required for installation.

CEE CO has been providing telecom solutions since 1930. Our vandal resistant technology focuses on providing public communication solutions while reducing replacement and repair costs, lowering the customer's total cost of ownership. CEE CO also offers custom design and branding to your specifications. Our commitment to providing expert service and support extends beyond the warranty of our product.

We offer service for the life of the product!

CEE CO is devoted to giving you the quality and service you deserve.

Providing Telecommunication Solutions Since 1930

Communication Equipment
& Engineering Company

<http://www.ceeco.net>
Email: sales@ceeco.net

519 SW Park Street
Okeechobee, FL 34972
Voice 863-357-0798
Fax 863-357-0006

SPECIFICATIONS

PRODUCT MANUALS WITH FULL FEATURES AND FUNCTIONS AVAILABLE UPON REQUEST

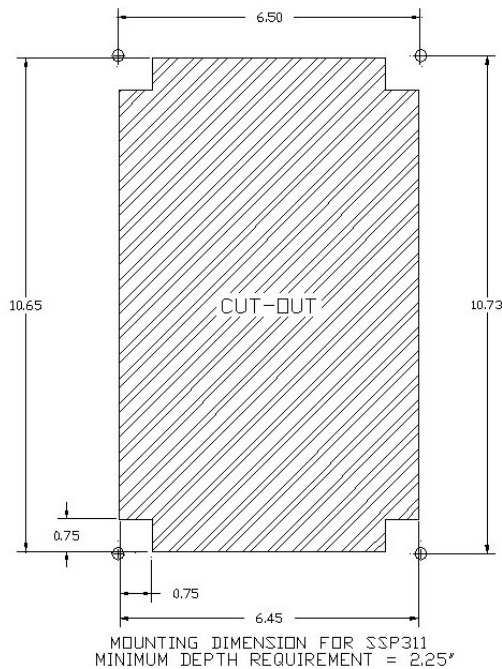
SPECIFICATIONS

INPUT POWER:	C.O. Line Powered
LOOP CURRENT:	23ma min to 80ma max
IMPEDANCE:	600 ohms
HEARING AID COMPATIBLE:	Meets EIA standards
ENVIRONMENTAL:	Temperature: -30°C (-22°F) to 90°C (194°F) Humidity 0%-90% non-condensating
RINGER EQUIVALENCY:	0.4A
FACEPLATE:	Brushed 16 gauge Stainless Steel
PANEL:	11 1/4"H x 7 1/16" W x 2 7/8" D
WEIGHT:	5 lbs.
UL LISTED NO.:	60F5
TYPE JACK:	RJ11C
RINGER EQUIVALENCY	0.4 A

ACCESSORIES:

301-064	Security Tool (required for installation)
---------	--

MOUNTING DIMENSIONS



WARRANTY POLICY

GENERAL

CEEEO guarantees its products to be free from defects in material and workmanship for a period of 365 days from the date of original purchase. CEEEO's obligation under this warranty is limited to repair or replacement of any part found to be defective by CEEEO.

UNDER NO CIRCUMSTANCES shall CEEEO be liable for loss, damage, cost of repair or consequential damages of any kind, which have been caused by neglect, abuse or improper operation of equipment.

CEEEO will repair or replace any unit during this period if found to be defective for reasons other than abuse and improper use or improper installation. It is the buyer's responsibility to return the defective unit to the factory. CEEEO will then repair or replace any defective parts and return them to the buyer free of charge. CEEEO will continue to offer repair service for the life of the product.

REPAIR POLICY

WARRANTY REPAIR

Any device returned requiring warranty service, repair or credit must be accompanied with a "Return Material Authorization" (RMA) Form. It must include: RMA Number, return shipping instructions, original purchase order number, serial number and special marking instructions. A tag with the trouble observed must be attached to the defective unit. This information must be inside the shipping container.

NON-WARRANTY REPAIR

CEEEO will repair equipment out of warranty for a set charge plus parts. The customer must pay the shipping costs both directions.



Providing Telecommunication Solutions Since 1930

Communication Equipment
& Engineering Company

<http://www.ceeco.net>

Email: sales@ceeco.net

519 SW Park Street

Okeechobee, FL 34972

Voice 863-357-0798

Fax 863-357-0006