

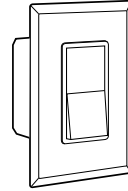
DHC Powerline Carrier Wall Switch Receivers

DESCRIPTION

CAT. NO.

3-Way and 4-Way (Multi-Location) Remote Dimming Switch — This unit is only for use as a remote switch with DHC Cat. Nos. HCM06/10-1SW, HCM06/10-1DW and HCS10-1SW Multi-Location Switches with Scene Capability. The MS00R-1 provides ON/OFF and DIM/BRIGHT 3-Way, 4-Way and higher-level control in conjunction with these units (Note: HSC10-1SW Switch does not provide DIM/BRIGHT control). The MS00R-1 cannot be used for any other purpose in the DHC network. Available in Ivory (-10I), White (-10W), and Almond (-10A). Kits for other colors must be purchased separately (See Chart).

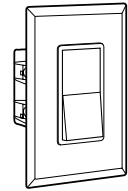
No Load Rating — For use with HCM06/10-1SW, HCM06/10-1DW and HCS10-1SW units with scene capability only



MS00R-1

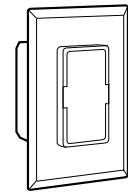
3-Way and 4-Way (Multi-Location) Remote Switch — For use with DHC Cat. No. 6293 Multi-Location Switches as a remote switch. The 6294 provides 3-Way, 4-Way and higher-level control in conjunction with these units. It cannot be used for any other purpose in the DHC network. The unit wires easily into standard wall box using terminal screws. For proper operation, the total length of traveler wire between Multi-Location Switch and Remote should not exceed 90 feet. Available in Mahogany (no dash), Ivory (-I), White (-W), Almond (-A) and Gray (-GY). Specify color(s) when ordering, as snap-on cover and frame kits cannot be used with the 6294.

No Load Rating — For use with 6293 and 6383 units only



6294

Double Pole Wall Switch — Equipped with Intellisense (gated automatic gain control). Provides local and remote ON/OFF control. Responds to ON/OFF and ALL OFF commands from controllers. Can be set to any of the 256 DHC address codes. Intended for control of pool pumps, air conditioning units, spa heaters and pumps, and other large residential loads. Wire easily into any standard wall box by means of six-inch leads. Available in Ivory only.

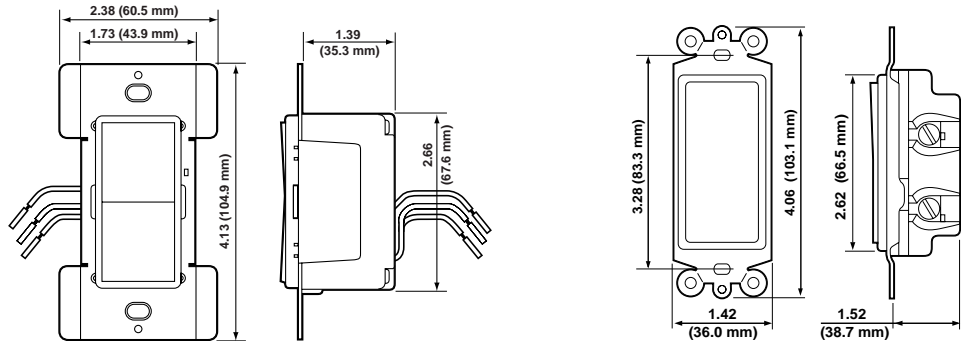


6371-I



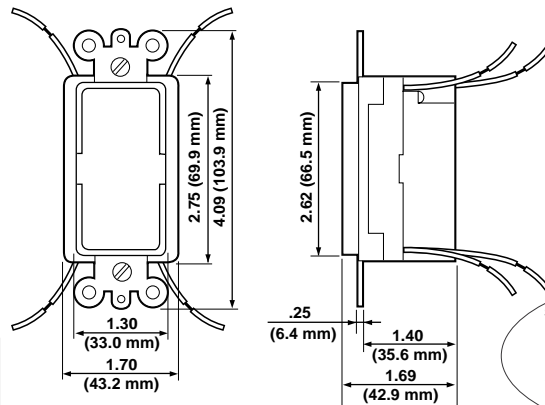
Rated: 20A 2 HP 250V AC 60Hz

All devices are UL Listed and CSA Certified.



REMOTE DIMMING SWITCH
Cat. No. MS00R-10

REMOTE SWITCH
Cat. No. 6294



DOUBLE POLE SWITCH
Cat. No. 6371-I

Sold by:



MS00R-1 in 80301-W



6371-I in 80301-I

SPECIFICATIONS & FEATURES

- Remote Units add multi-location capability to dimmer and switch receivers
- Fit in standard wallboxes to replace regular switches
- Leviton's exclusive Intellisense™ virtually eliminates command signal problems due to line noise
- 6371-I Heavy-duty appliance switch available for automated control of heavy-duty loads such as air conditioning and pool pumps
- Decora styled to coordinate with Leviton's Decora line of wiring devices
- Backed by a Limited Two-Year Warranty

TESTING & CODE COMPLIANCE

- UL Listed (File #E-66800)
- CSA Certified (File # LR-54628)
- UL 244A Tested (and others where appropriate)

COLOR

Colors available as listed

HORSEPOWER

Cat. No 6371-I: 2 HP @ 250V 20A

MATERIAL CHARACTERISTICS

Environmental: Flammability (Engineering Thermoplastic) UL-94, V-2 Rating
Operating Temperature: -40°C to 120°C

Rocker and Frame Kits for MS00R-10 Switch					
Cat. No. Mahogany	Cat. No. Ivory	Cat. No. White	Cat. No. Gray	Cat. No. Almond	Cat. No. Black
—	DRK0R-00I	DRK0R-00W	DRK0R-00G	DRK0R-00A	DRK0R-00E