

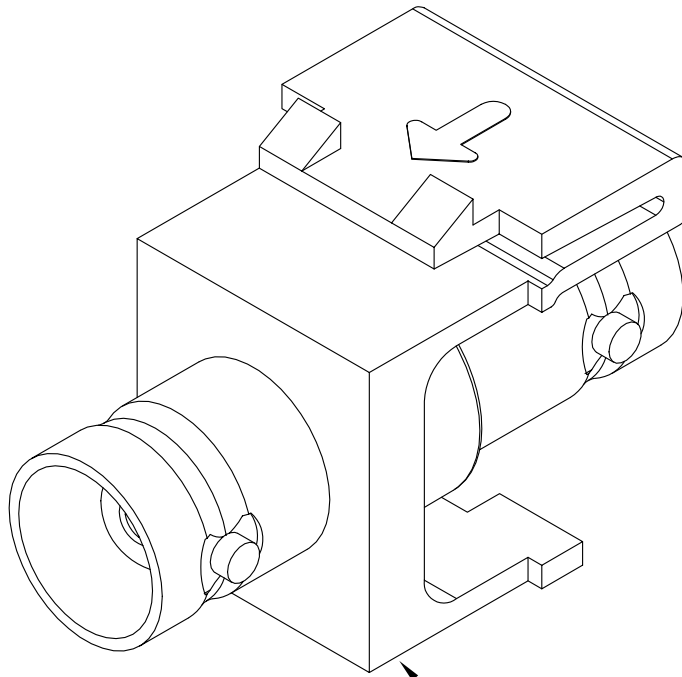
50 Ohm Nickel Plated BNC Female-to-Female Module

PRODUCT SPECIFICATION



Package includes:

A. 50 Ohm BNC Female-to-Female Module, 1 pc



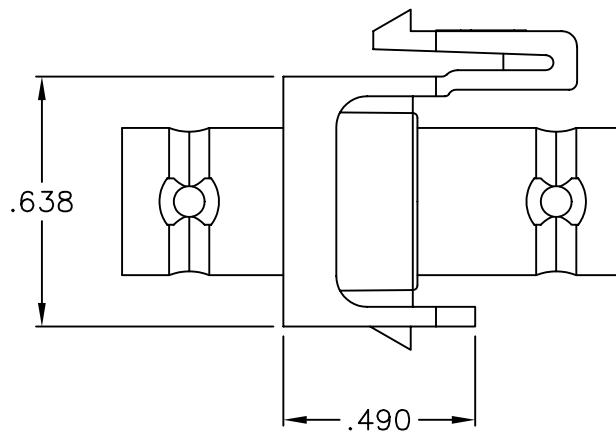
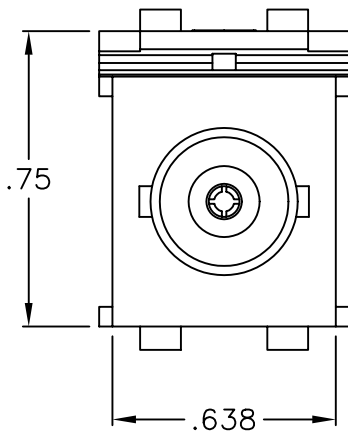
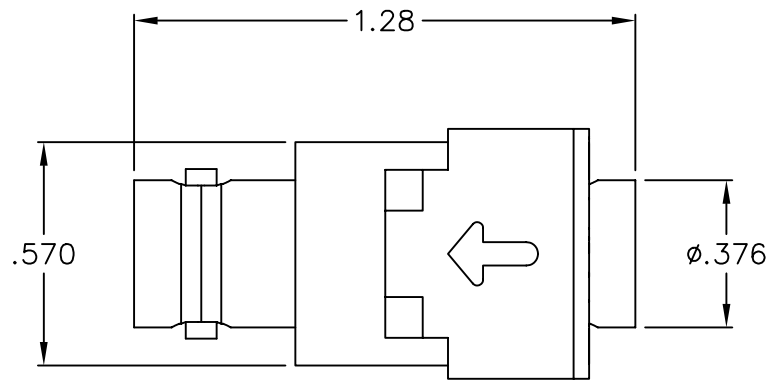
50 Ohm BNC Female-to-Female Module

Features and Benefits:

- Nickel plating for improved performance with superior signal quality with minimal noise
- Designed for high speed digital video and telephony (above 300Mhz), and more
- Provides a clean and neat appearance installation
- Compatible with all IC107 faceplates, inserts, surface mount boxes, and blank patch panels
- Compatible with all IC108 furniture faceplates, bezels, and surface mount boxes
- Housing color available in black, ivory, and white

MODULE, BNC, 50 OHM, NICKEL PLATED			
ITEM NO.	IC107B3GXX		REV. C
DWG NO.	PS107B3G00		PAGE NO. 1

CUSTOMER CARE / TECHNICAL SUPPORT * CSR@ICC.COM / 888-ASK-4-ICC (275-4422) * 14700 Alondra Blvd., La Mirada, CA 90638 * www.icc.com



NOTE: UNLESS OTHERWISE SPECIFIED

1. HOUSING:

- A. MATERIAL: ABS, UL 94V-0
- B. COLOR: XX: BK-BLACK, GY-GRAY, IV-IVORY, & WH-WHITE


2. 50 OHM BNC FEMALE-TO-FEMALE CONNECTOR:

- A. MATERIAL:
 - CONNECTOR: ZINC ALLOY WITH NICKEL PLATING
 - CENTER DIELECTRIC: DELRIN
 - CONTACT: BRASS WITH FLASH GOLD PLATING

B. ELECTRICAL:

- IMPEDANCE: 50 OHM
- FREQUENCY: 0~4 GHz / 0~1 GHz
- VOLTAGE RATING: 500V RMS
- DIELECTRIC: 1500V RMS



MODULE, BNC, 50 OHM, NICKEL PLATED		 PremiumProducts ProvenPerformance CompetitivePrices	
ITEM NO.	IC107B3GXX		REV. C
DWG NO.	PS107B3G00		PAGE NO. 2

CUSTOMER CARE / TECHNICAL SUPPORT * CSR@ICC.COM / 888-ASK-4-ICC (275-4422) * 14700 Alondra Blvd., La Mirada, CA 90638 * www.icc.com