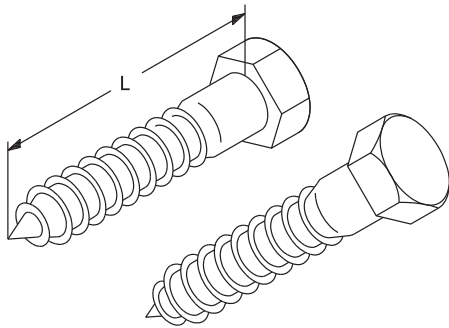


## Hex Cap Bolts

Also called Washer Faced Hex Cap Screws. Commercial grade. Zinc plate or gold finish

Part Number	Nominal Size	Finish	Length
20290-106	1/4-20	Zinc Plated	3/4"
20290-118	1/4-20	Zinc Plated	2-1/4"
20290-216	5/16-18	Zinc Plated	2"
20290-307	3/8-16	Zinc Plated	7/8"
02004-001	3/8-16	Gold	1-1/4"
02004-002	1/4-20	Gold	1-1/4"
02004-003	1/2-13	Gold	1-1/2"
02004-004	3/8-16	Gold	1-1/2"
02004-005	1/2-13	Gold	1-3/4"
02004-006	5/8-11	Gold	1-1/4"
02004-007	5/8-11	Gold	3-1/4"



Sold individually

## Hex Lag Screw

Used to install racks onto wood or other soft surfaces. Gold over zinc plate finish

Part Number	Nominal Size	Length	Shipping Weight lb (kg)
02006-001	1/2-6	2"	1 (0.5)
02006-002	5/8-5	2"	1 (0.5)
02007-004	1/4-10	2"	1 (0.5)
20098-832	3/8-7	2"	1 (0.5)