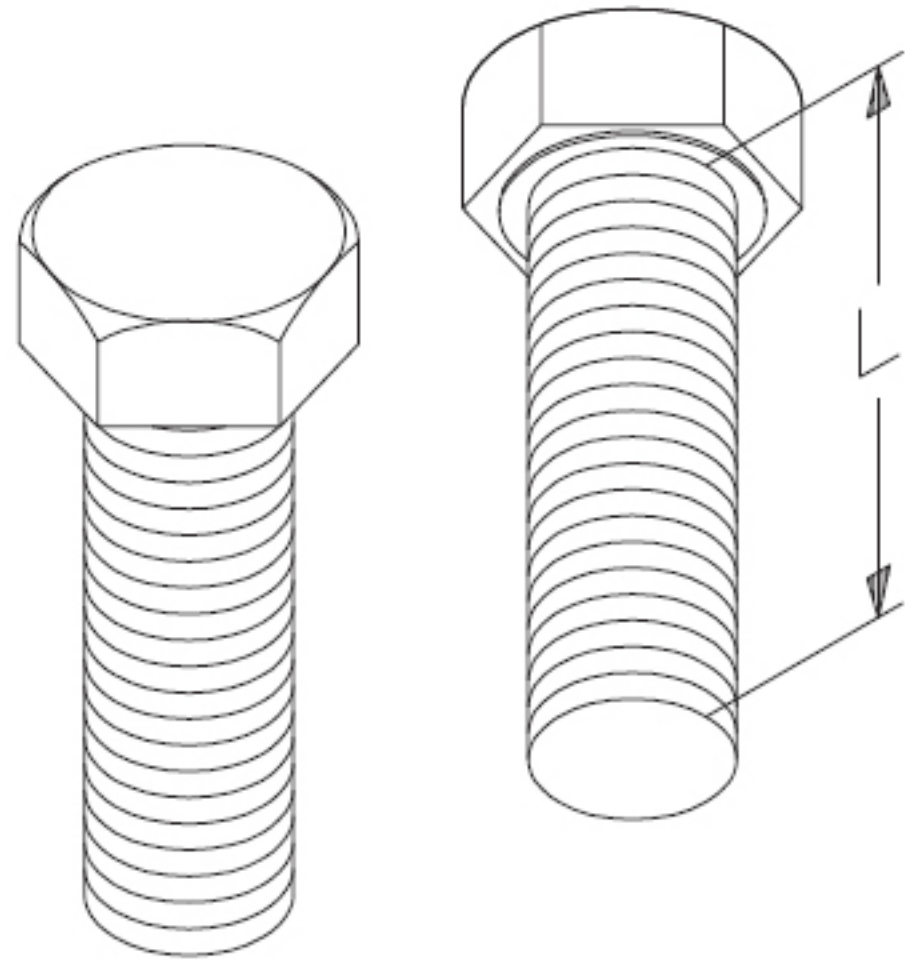


Product Information Sheet

HEX CAP BOLTS

Also called Washer Faced Hex Cap Screws

- Commercial grade
- Zinc plate or gold finish



Part Number	Nominal Size	Finish	Length
20290-106	1/4-20	Zinc Plated	3/4"
20290-118	1/4-20	Zinc Plated	2 1/4"
20290-216	5/16-18	Zinc Plated	2"
20290-307	3/8-16	Zinc Plated	7/8"
02004-001	3/8-16	Gold	1 1/4"
02004-002	1/4-20	Gold	1 1/4"
02004-003	1/2-13	Gold	1 1/2"
02004-004	3/8-16	Gold	1 1/2"
02004-005	1/2-13	Gold	1 3/4"
02004-006	5/8-11	Gold	1 1/4"
02004-007	5/8-11	Gold	3 1/4"



800-834-4969 in US & Canada • www.chatsworth.com