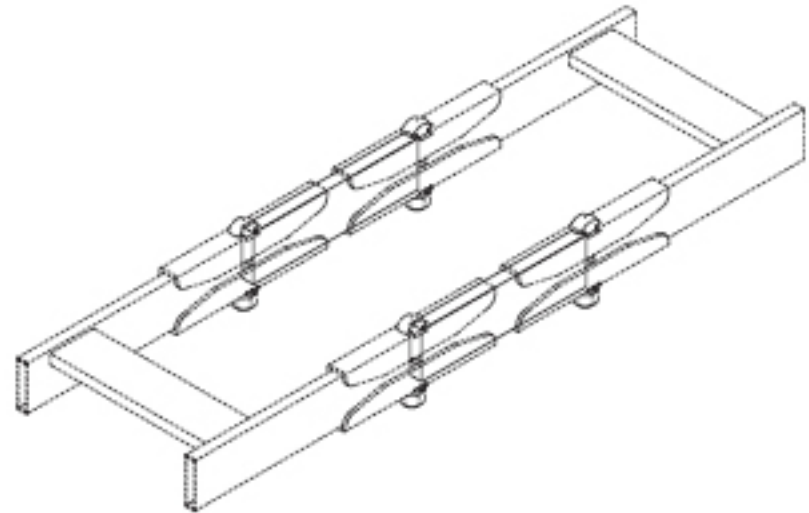


Product Information Sheet

ISOLATOR BAR, CABLE RUNWAY

Electrically isolates cable runway sections from one another when installed in-line.

- Made of strong non-conductive material
- Kit consists of:
 - 2 each isolator bars
 - 2 each butt-splice kits (P/N 11301-001)



Part Number	Description	Shipping Weight
10842-001	Isolator Bar	2 lb

Sold by:



800-834-4969 in US & Canada • www.chatsworth.com