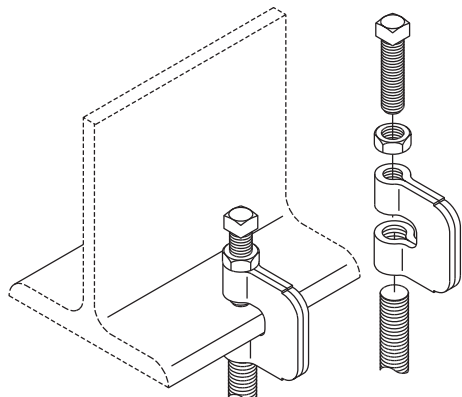


## Threaded Rod Cover

Protects cable from damage during installation.

- Made of plastic PVC tubing. Gray I.D. = 0.630" (16 mm)

Part Number	Description Length - ft (m)	Shipping Weight lb (kg)
11085-001	Threaded Rod Cover, 10 (3)	5 (2.3)

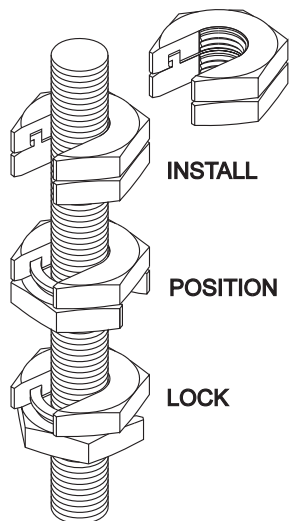


## Threaded Rod I-Beam Clamps, Cable Runway

Fastens a 3/8" or 5/8" threaded rod to an I-beam.

- Material is cold-rolled steel
- Finish is Gold over zinc plating

Part Number	Description	Shipping Weight lb (kg)
10557-001	For 3/8"-16 Threaded Rod	3 (1.4)
10557-003	For 5/8"-11 Threaded Rod	3 (1.4)

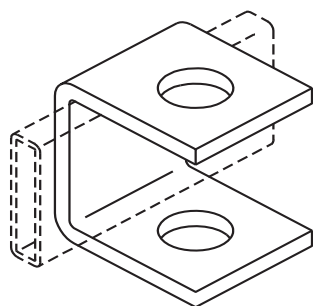


## Slip-On® Lock Nut

Used to add a nut to threaded rod without having to thread from the end. Zinc plated. *Slip-On® is a registered trademark of Slip-On Lock Nut Co.*

Part Number	Description	Shipping Weight lb (kg)
03003-001	3/8"-16 Slip-On Lock Nut	1 (0.5)
03003-002	5/8"-11 Slip-On Lock Nut	1 (0.5)

Size in (mm)	Recommended Load - lb (kg)	Recommended Torque
3/8 (10)	2,000 (907.2)	19-25 ft/lb (26 Nm-34 Nm)
5/8 (16)	5,000 (2268.0)	100-120 ft/lb (135.6 Nm-162.7 Nm)



## Runway Support Brackets

Secures threaded rod to Cable Runway. Mounting hardware not included.

Part Number	Description	Shipping Weight lb (kg)
11408-001	For 3/8" (10 mm) or M10 Rod and 1-1/2 (38) Stringers	1 (0.5)
11408-003	For 5/8" (16 mm) or M16 Rod and 1-1/2 (38) Stringers	1 (0.5)