

Tall Pipe Stand, Cable Runway

Supports auxiliary framing or Cable Runway from the floor.

• Material is steel

Kit consists of:

- (1) floor flange
- (1) appropriate length of 2" (50 mm) pipe
- (1) pipe cap, center drilled and tapped for a 5/8- 11 threaded rod (P/N 11440, not included)
- (3) 5/8-11 hex nuts
- (3) 5/8 split lock washers
- (4) 1/4-20 x 1 1/2" studs
- (4) 1/4-20 concrete anchors
- (4) 1/4-20 hex nuts
- (4) 1/4 Type B washers

Installation also requires:

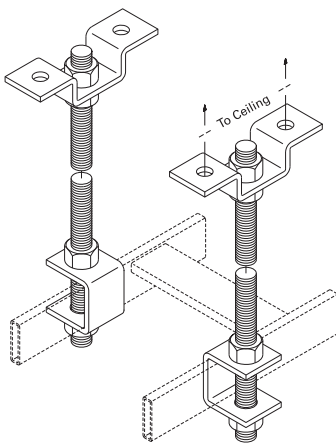
- (1) grid clamp of appropriate width, See P/N 10609
- (1) 5/8-11 threaded rod of appropriate length, See P/N 11440

Note: Must be securely mounted to floor with included anchor kit.

Also, in the case of attachment to Cable Runway, you may need to use Runway Support Brackets, series 11408 or 10607.

Part Number	Description in (mm)	Overall Height ft (m)	Shipping Weight lb (kg)
10684-X01	2 x 79 (50 x 2010) Tall Pole	7 (2.1)	16 (7.3)
10684-X02	2 x 85 (50 x 2160) Tall Pole	7.6 (2.3)	18 (8.2)
10684-X03	2 x 91 (50 x 2310) Tall Pole	8 (2.4)	20 (9.1)
10684-X04	2 x 103 (50 x 2620) Tall Pole	9 (2.7)	24 (10.9)

X=Color: 1=Gray, 2=White, 7=Black



Drawing shows 2 kits

Threaded Ceiling Kit, Cable Runway

Used to suspend Cable Runway from the ceiling. Material is steel, finished with Gold over zinc plating.

Kit consists of:

- (1) ceiling support bracket
- (1) either 3/8-16 x 6', 5/8-11 x 6', M10 x 2M or M16 x 2M threaded rod
- (1) runway support bracket
- (4) either 3/8-16, 5/8-11, M10 or M16 hex nuts

Part Number	Description	Shipping Weight lb (kg)
11310-001	Threaded Ceiling Kit, 3/8" Rod	3 (1.4)
11310-003	Threaded Ceiling Kit, 5/8" Rod	7 (3.2)
11310-093	Threaded Ceiling Kit, M10 x 2M	7 (3.2)
11310-094	Threaded Ceiling Kit, M16 x 2M	7 (3.2)

Note: Recommended spacing between ceiling kits is 5' (1.5 m). The ceiling hole diameter for P/N 11310 is .375" (9.5 mm) for 3/8" or M10 rod; .500" (12.7 mm) for 5/8" or M16 rod.