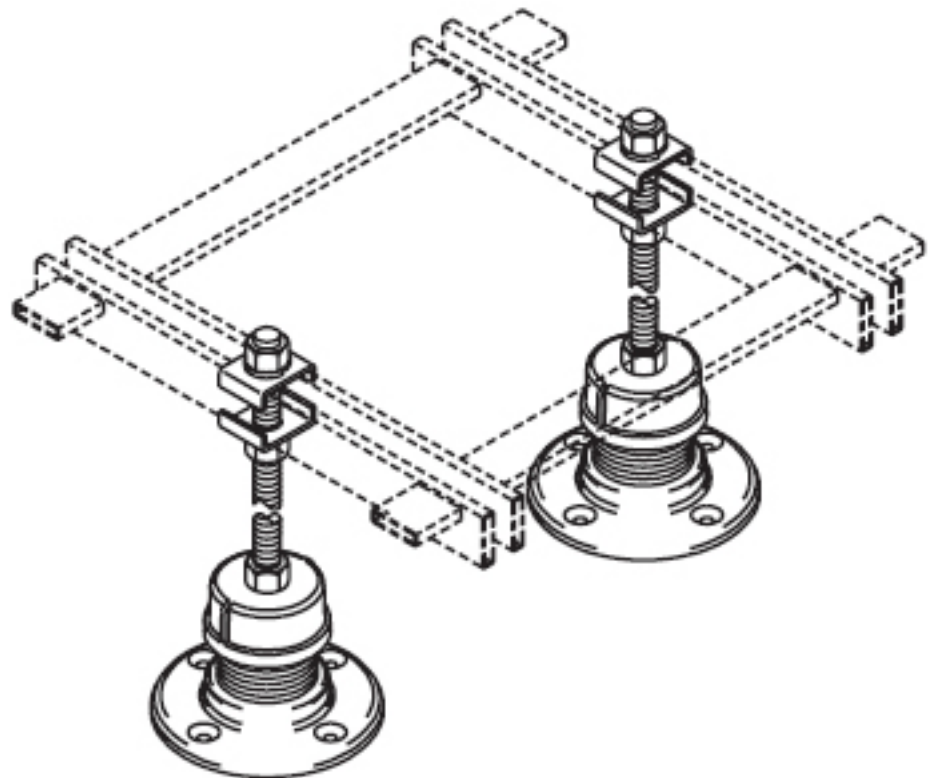


Product Information Sheet

ADJUSTABLE FLOOR SUPPORT STANDS, CABLE RUNWAY

Use for floor support for cable runway grids. Sold in pairs.

- Design allows mounting of any width cable runway
- Heights from 5" to 10"
- Should be securely fastened to floor
- Kit consists of:
 - 2 each 2" pipe caps
 - 2 each floor flanges
 - 2 each 2" pipe
 - 4 each grid clamps
 - 2 each spacers, 3/8" x 1.5"
 - 2 each 5/8-11 threaded rod
 - 2 each 5/8 lock washers
 - 6 each 5/8-11 nuts



Part Number			Height
Gray	White	Black	
11235-101	11235-201	11235-701	5" to 6"
11236-101	11236-201	11236-701	6" to 8"
11237-101	11237-201	11237-701	8" to 10"

Sold by:



800-834-4969 in US & Canada • www.chatsworth.com