

THIS COPY IS PROVIDED ON A RESTRICTED BASIS AND IS NOT TO BE USED IN ANY WAY DETRIMENTAL TO THE INTERESTS OF PANDUIT CORP.

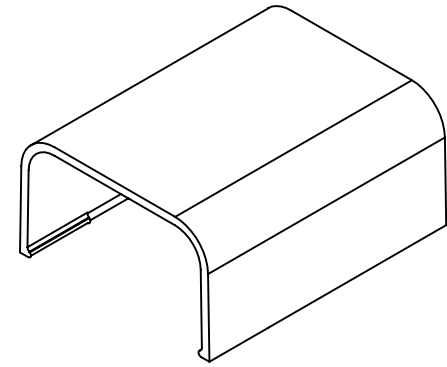
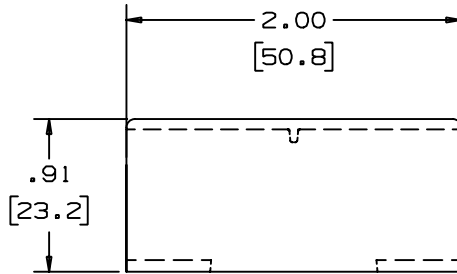
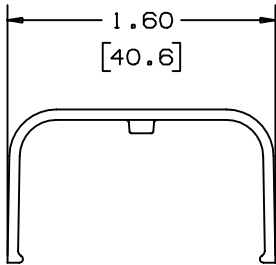
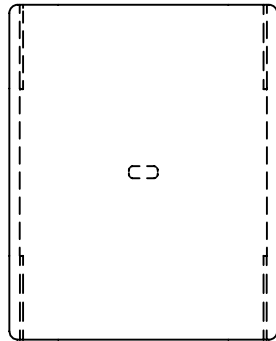


PANDUIT P/N	WEIGHT
CF10	1.30 LB/ 100PCS. (588g/ 100PCS.)



NOTES:

1. SEE CURRENT CATALOG FOR ADDITIONAL PART SUFFIXES TO INDICATE COLOR AND OR PACKAGE QUANTITY.
2. DIMENSIONS IN PARENTHESIS ARE IN METRIC.



CAD FILENAME/LAYERS D34116BD_DC_CF10_02C.PRT

REV	DATE	BY	CHK	DESCRIPTION	ECN	R	CUST	SUP
6	07-02-02	JHNL	RMH	F. REVISED MATERIAL IN DRAWING TITLE BLOCK.	17778	RGRO	RGRO	
5	09-06-00	JHNL	HIW	E. REVISED AND REDRAWN.	17778	HIW	HIW	
4	10-03-91	DW	CF	D. REV'D NOTE AND REMOVED COLOR FROM DWG.	17778	4	WJB/CF	
3	02-28-91	DW	CF	C. REV'D COLORS: OMIT BLACK, BEIGE, LIGHT IVORY, AND LIGHT GREY. ADDED INT. WHITE AND INT. GREY	17778	3	WJB	
2	12-02-87	LDB	WJB	B. ADDED P/N CF10EI AND CF10LI.	17778	2	WJB	
1	10-01-84	CEKI	HMP	A. REVISED MAT'L.	17778	1	AJC	
R	11-11-82	SS	HMP	DRAWING RELEASED	17778	R	JKR	

PANDUIT CORP. TINLEY PARK, ILLINOIS
 COUPLER FITTING
 (CF10)
 CUSTOMER DRAWING

UNLESS OTHERWISE SPECIFIED, DIMENSIONAL TOLERANCES ARE:
 (.X) ± (.XXX) ±
 (.XX) ±.03(.8) ANGLES ±

UNLESS OTHERWISE SPECIFIED, ALL DIMENSIONS ARE GIVEN IN INCHES, THIRD ANGLE PROJECTION.

DRAWN BY SARGIS
 DATE 11-05-82
 CHK'D JVL

MAT'L: ABS

SCALE FULL

DRAWING NO. SS-17778
 DWG SIZE A