

Spanner Kit, Auxiliary Framing Channel/Cable Runway

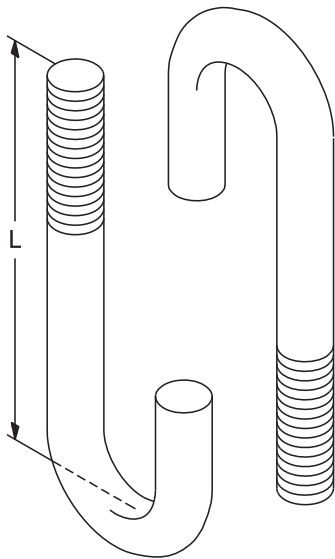
Used to attach Cable Runway to auxiliary framing.

- Gold over zinc plating, sold individually

Kit consists of:

- (1) Spanner Bolt
- (1) 1/2-13 split lock washer
- (1) 1/2-13 hex nut

Part Number	Description Nominal Size and Length	Shipping Weight lb (kg)
10702-001	1/2-13 x 4-3/8"	1 (0.5)
10702-002	1/2-13 x 4-7/8"	1 (0.5)



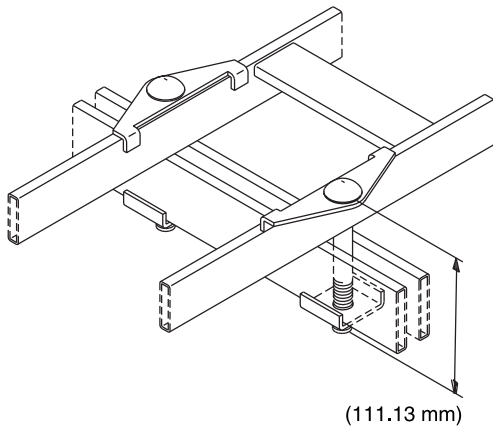
J-Bolts (Hook Bolt, Round Bend), Auxiliary Framing Channel/Cable

Used to bolt Cable Runway (11431 series only), auxiliary framing channels and/or bars together.

- Gold over zinc and black zinc plate finish
- Includes nut and split lock washer
- Commercial grade, kits sold individually

Part Number	Nominal Size	Length	Opening	Shipping Weight lb (kg)
11430-X01	1/4-20	1 3/4"	7/32	1 (0.5)
11430-X02	1/4-20	2"	7/32	1 (0.5)
11431-X01	5/16-18	2 1/4"	7/16	1 (0.5)
11431-X02	5/16-18	2 3/4"	7/16	1 (0.5)
11431-X03	5/16-18	3 1/4"	7/16	1 (0.5)
11431-X04	5/16-18	3 3/4"	9/32	1 (0.5)
11431-X05	5/16-18	3 3/4"	7/16	1 (0.5)
11431-X06	5/16-18	6 1/2"	7/16	1 (0.5)

X=color: 0=Gold, 7=Black



Mounting Kit, Auxiliary Framing Channel

For fastening Cable Runway to auxiliary framework. Material is steel finished with gold over zinc plating.

Part Number	Description in (mm)	Shipping Weight lb (kg)
10709-001	For 3/8 x 2 (9.53 x 50) Bar, Pair	1 (0.5)
10709-003	For 9/16 x 2 (14.288 x 50) Channel, Pair	1 (0.5)
10709-005	For 1 x 2 (30 x 50) Channel, Pair	1 (0.5)