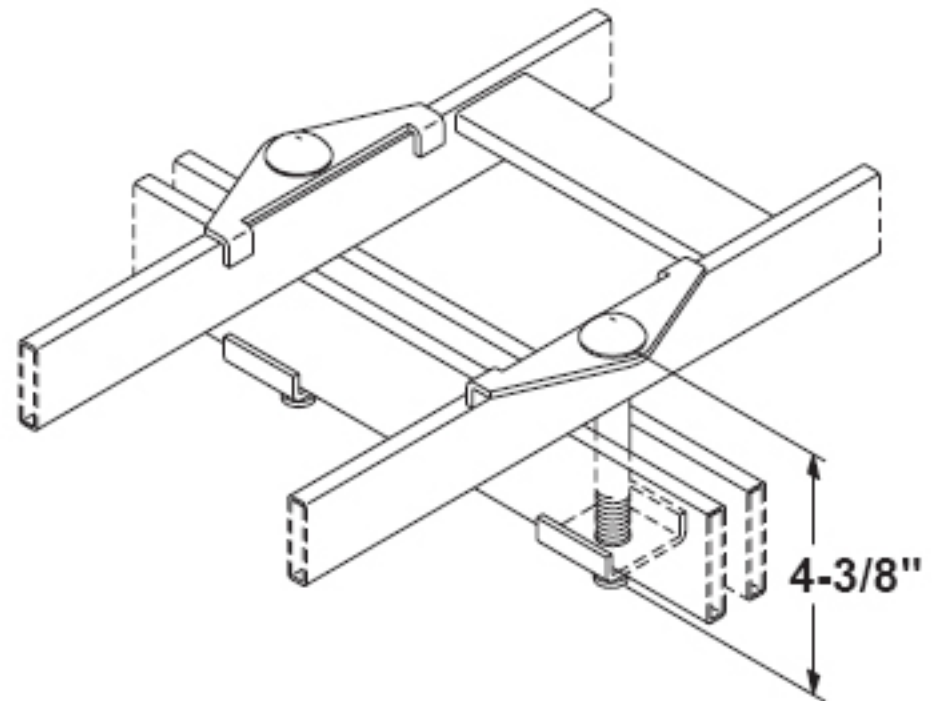


# Product Information Sheet

## SPANNER CLIP, CABLE RUNWAY

For fastening cable runway to auxiliary framework. Material is steel finished with gold over zinc plating.

- Sold in pairs



Part Number	Description	Shipping Weight
10709-001	For 3/8" x 2" Bar	1 lb
10709-003	For 9/16" x 2" Channel	1 lb
10709-005	For 1" x 2" Channel	1 lb

Sold by:



800-834-4969 in US & Canada • [www.chatsworth.com](http://www.chatsworth.com)