

## J-Bolt Kit, Auxiliary Framing Channel/Runway

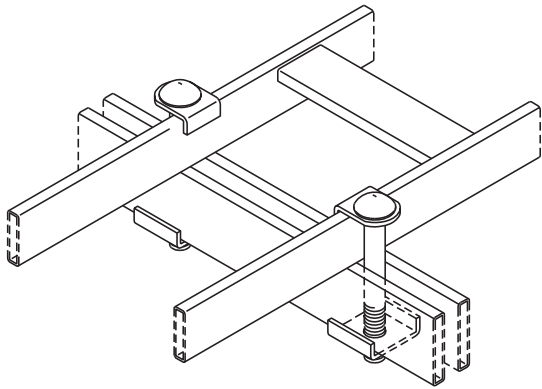
To attach 1-1/2" (38 mm) Cable Runway to a 1" x 2" (30 mm x 50 mm) auxiliary framing channel without drilling.

- Gold over zinc plating

**Kit consists of:**

- (1) 1/4" x 1" x 3-1/2" (6.4 mm x 30 mm x 89 mm) cold-rolled steel plate
- (2) 5/16-18 x 3-1/4" J-Bolts
- (2) 5/16-18 hex nuts, split lock washers

Part Number	Description in (mm)	Shipping Weight lb (kg)
11306-001	For 1-1/2 (38) Side Stringers	1 (0.5)
11306-002	For 2 (50) Side Stringers	1 (0.5)



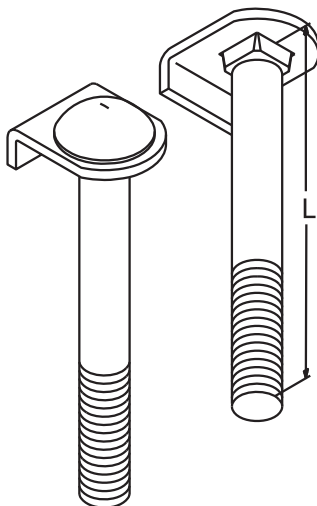
## J-Bolt Clip Kit, Auxiliary Framing Channel/Cable Runway

For fastening Cable Runway to auxiliary framework. Material is steel finished with gold over zinc plating.

**Kit consists of:**

- (2) Clip J-Bolt
- (2) 1/2-13 split lock washer
- (2) 1/2-13 hex nut

Part Number	Description in (mm)	Shipping Weight lb (kg)
10635-003	For 3/8 x 2 (9.53 x 50) Bar	1 (0.5)
10635-005	For 9/16 x 2 (14.288 x 50) Channel	1 (0.5)
10635-007	For 1 x 2 (30 x 50) Channel	1 (0.5)



## Clip J-Bolt, Auxiliary Framing Channel/Cable Runway

Used to attach Cable Runway to auxiliary framing.

- Sold individually
- Gold over zinc plating

**Kit consists of:**

- (1) 1/2-13 lock nut
- (1) 1/2 Split lock washer

Part Number	Description Nominal Size and Length	Shipping Weight lb (kg)
10620-003	1/2-13 x 4-3/8"	1 (0.5)
10620-004	1/2-13 x 4-7/8"	1 (0.5)