

## J-Bolt Kit, Auxiliary Framing Channel/Wall Angle Support

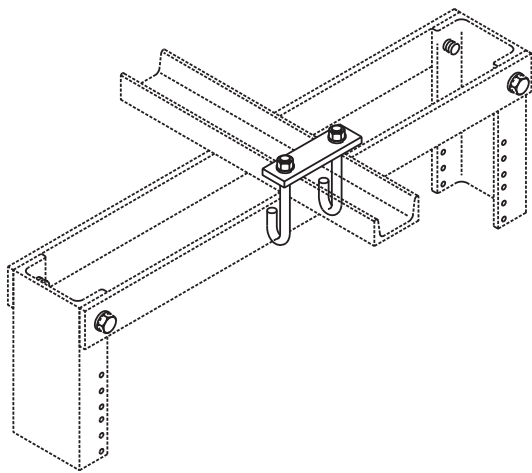
Used to attach a 2" x 1" (50 mm x 30 mm) auxiliary framing channel to a wall angle support.

- Finish is gold over zinc plating

**Kit consists of 2 each:**

- 1/4-20 x 1-3/4" J-Bolts
- 1/4-20 hex nuts
- 1/4 split lock washers

Part Number	Description	Shipping Weight lb (kg)
11303-000	J-Bolt Kit	1 (0.5)



## J-Bolt Kit, Auxiliary Framing Channel/Rack Top Bar

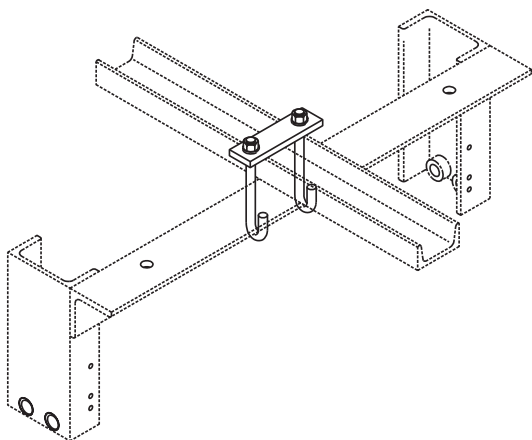
Used to attach a 2" x 1" (50 mm x 30 mm) auxiliary framing channel to a 1 1/2" (38 mm) equipment rack top bar.

- Finish is gold over zinc plating

**Kit consists of:**

- (1) 1/4" x 1" x 3-1/2" (6.4 mm x 30 mm x 89 mm) cold-rolled steel plate
- (2) 5/16-18 x 3-1/4" J-Bolts
- (2) 5/16-18 hex nuts and split lock washers

Part Number	Description	Shipping Weight lb (kg)
11305-000	J-Bolt Kit	1 (0.5)



## J-Bolt Kit, Auxiliary Framing Channel/Rack Top Angle

Used to attach a 2" x 1" (50 mm x 30 mm) auxiliary framing channel to a 2" x 2" (50 mm x 50 mm) equipment rack top angle.

- Finish is gold over zinc plating

**Kit consists of:**

- (1) 1/4" x 1" x 3-1/2" (6.4 mm x 30 mm x 89 mm) cold-rolled steel plate
- (2) 5/16-18 x 3-3/4" J-Bolts
- (2) 5/16-18 hex nuts and split lock washers

Part Number	Description	Shipping Weight lb (kg)
11304-000	J-Bolt Kit	1 (0.5)