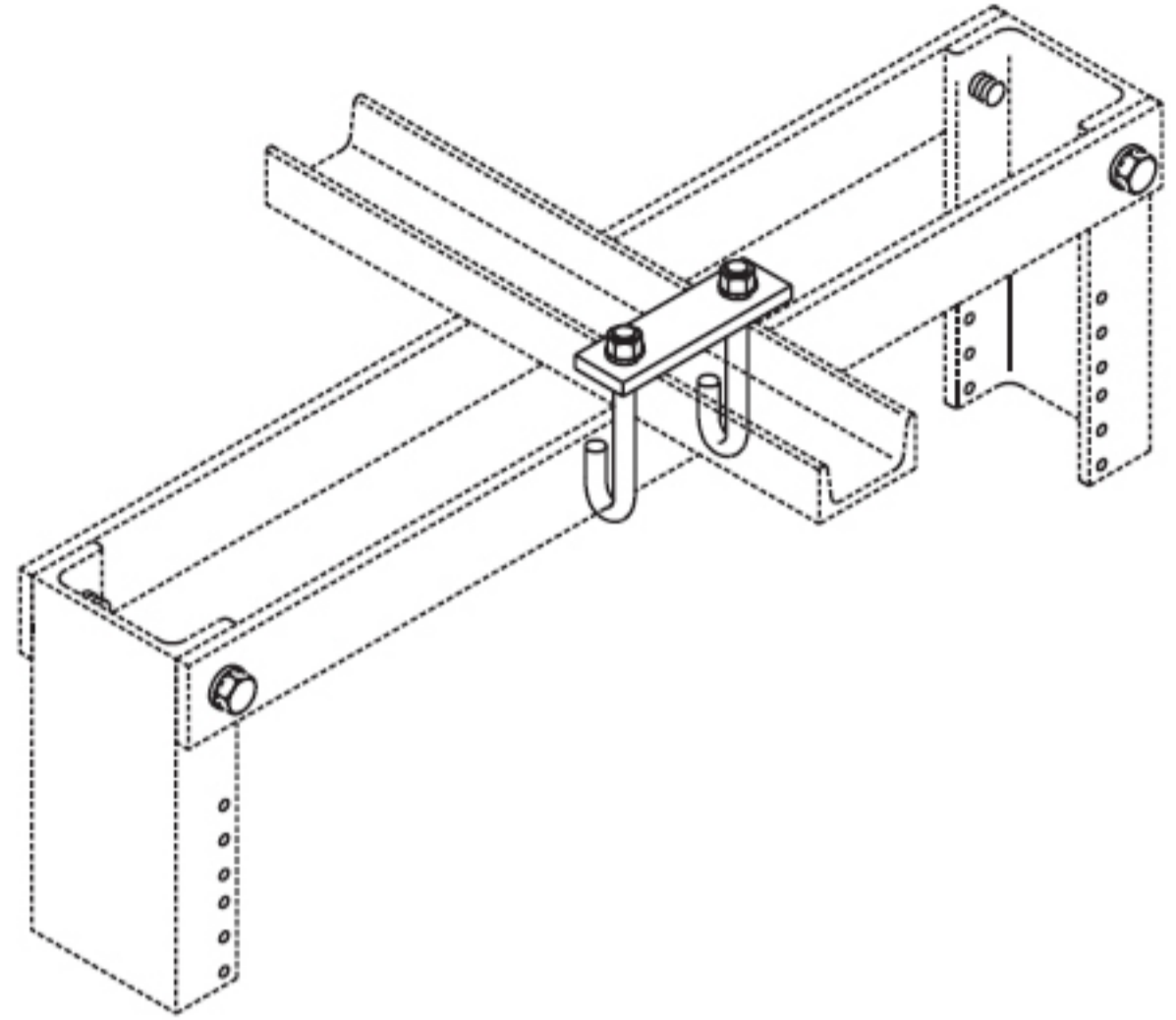


Product Information Sheet

J-BOLT KIT, AUXILIARY FRAMING CHANNEL/RACK TOP BAR

Used to attach a 2" x 1" auxiliary framing channel to a 1 1/2" equipment rack top bar.

- Finish is gold over zinc plating
- Consists of:
 - 1 each 1/4" x 1" x 3 1/2" cold-rolled steel plate
 - 2 each 5/16-18 x 3 1/4" J-Bolts
 - 2 each 5/16-18 hex nuts and split lock washers



Part Number	Description	Shipping Weight
11305-000	J-Bolt Kit	1 lb

Sold by:



800-834-4969 in US & Canada • www.chatsworth.com



CHATSWORTH PRODUCTS, INC.

©2002 Chatsworth Products, Inc. 11/02