

Product Information Sheet

FRAMING CLIP KIT

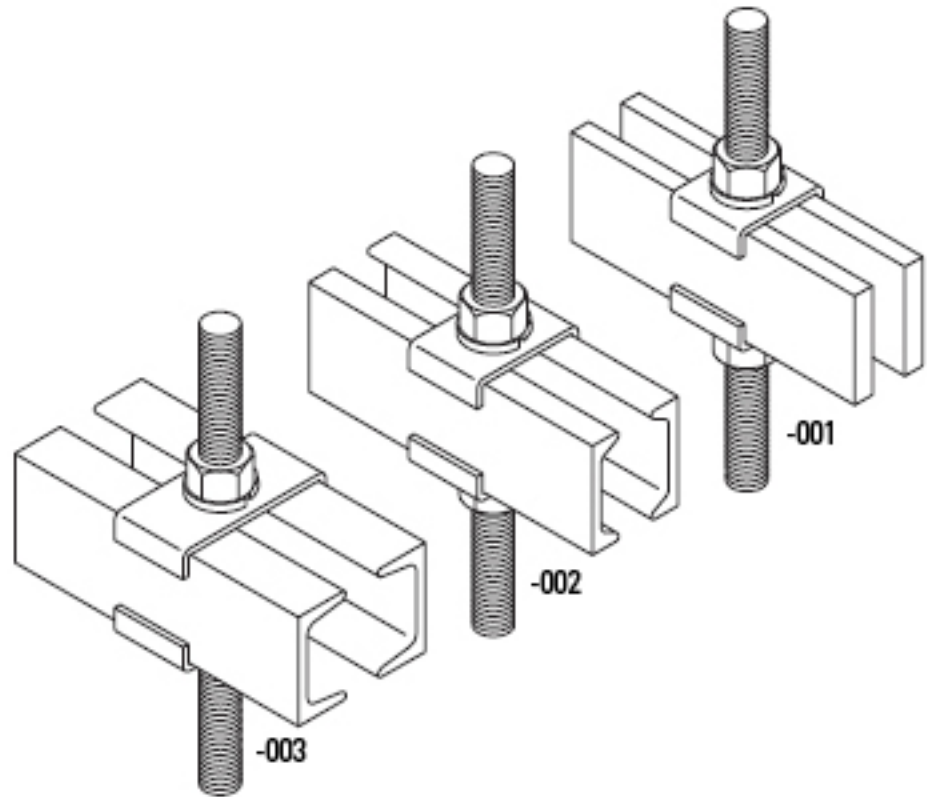
Creates a rigid connection between two adjacent grid or cable runway sections.

■ Material is steel finished with gold over zinc plating.

Kit consists of 2 brackets only

■ Installation will require:

- 1 each 5/8-11 or 1/2-13 threaded rod (of appropriate length)
- 2 each 5/8-11 or 1/2-13 hex nuts
- 2 each 5/8" or 1/2" split lock washers



| Part Number | Description | Shipping Weight |
|----------------|-------------------|-----------------|
| 5/8" Bolt Size | | |
| 10609-001 | For 3/8" Bar | 1 lb |
| 10609-002 | For 9/16" Channel | 1 lb |
| 10609-003 | For 1" Channel | 1 lb |
| 1/2" Bolt Size | | |
| 10621-001 | For 3/8" Bar | 1 lb |
| 10621-002 | For 9/16" Channel | 1 lb |
| 10621-003 | For 1" Channel | 1 lb |



800-834-4969 in US & Canada • www.chatsworth.com