

Slip-On® Framing Clip, Cable Runway

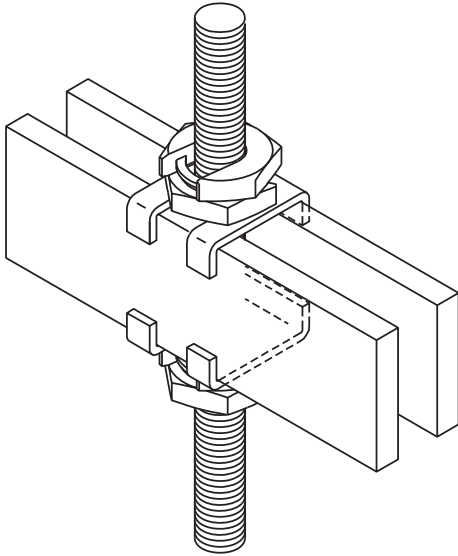
Allows easy installation of additional rack grids to existing grids by slipping clamps around 5/8" threaded rod.

- Material is steel finished with gold over zinc plating

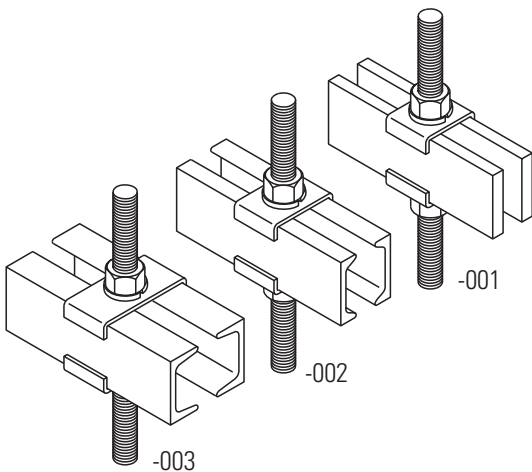
Kit consists of:

- (2) slotted clamps
- (2) 5/8" Slip-On® Lock Nuts

Slip-On® is a registered trademark of Slip-On Lock Nut Co.



Part Number	Description in (mm)	Shipping Weight lb (kg)
11019-001	For 3/8 (9.53) Bar or Runway Stringer, 5/8" threaded rod	2 (0.9)
11019-002	For 9/16 (14.288) channel, 5/8" threaded rod	2 (0.9)



Framing Clip Kit, Cable Runway

Creates a rigid connection between two adjacent grid or cable runway sections.

- Material is steel finished with gold over zinc plating; kit consists of 2 brackets only

Installation will require:

- (1) 5/8-11 or 1/2-13 threaded rod (of appropriate length)
- (2) 5/8-11 or 1/2-13 hex nuts
- (2) 5/8" or 1/2" split lock washers

Part Number	Description in (mm)	Shipping Weight lb (kg)
5/8" Bolt Size		
10609-001	For 3/8 (9.53) Bar or Runway Stringer	1 (0.5)
10609-002	For 9/16 (14.288) Channel	1 (0.5)
10609-003	For 1 (30) Channel	1 (0.5)
1/2" Bolt Size		
10621-001	For 3/8 (9.53) Bar or Runway Stringer	1 (0.5)
10621-002	For 9/16 (14.288) Channel	1 (0.5)
10621-003	For 1 (30) Channel	1 (0.5)