

## Auxiliary Framing Channel, Cable Runway

- Steel channel or bar commonly used as auxiliary framing for Cable Runways
- Color is Gray (other colors available)

Part Number	Color	Length ft (m)	Shipping Weight lb (kg)
<b>1" x 2" x 3/16" (25 mm x 50 mm x 4.763 mm) Channel</b>			
11450-101	Gray	10 (3)	24 (10.9)
<b>9/16" x 2" x 3/16" (14.288 mm x 50 mm x 4.763 mm) Channel</b>			
10628-102	Gray	10 (3)	17 (7.7)
<b>3/8" x 2" (9.53 mm x 50 mm) Bar</b>			
10745-106	Gray	6 (1.8)	14 (6.4)

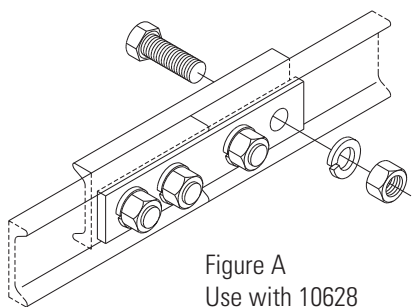


Figure A  
Use with 10628

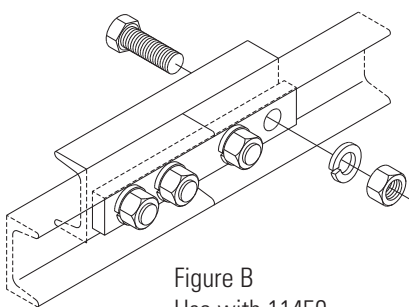


Figure B  
Use with 11450

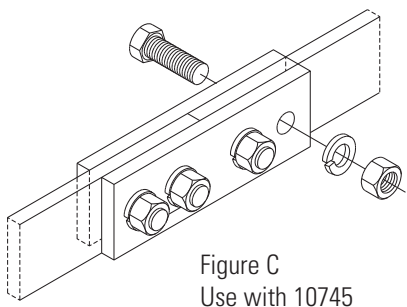


Figure C  
Use with 10745

## Heavy-Duty, Auxiliary Framing Channel Splice, Cable Runway

Provides extra strength to butt-splice framing channel.

- Drilling the framing channel is required
- Color is gray splice bars with gold hardware

### Kit consists of:

- (1) channel splice, 6"L (150 mm)
- (1) steel bar splice, 6"L (150 mm)
- (4) 1/2-13 hex cap screws
- (4) 1/2-13 hex nuts and split lock washers

Part Number	Description in (mm)	Figure	Shipping Weight lb (kg)
10746-101	9/16 x 2 (14.288 x 50) Channel	A	3 (1.4)
10747-101	1 x 2 (25 x 50) Channel	B	3 (1.4)

## Auxiliary Framing Bar Splice Kit, Cable Runway

Butt-splices 3/8" x 2" (9.53 mm x 50 mm) Auxiliary Framing Bar.

- Drilling the framing bar is required
- Material is steel bar 1/4" x 2" x 6"L (6.4 mm x 50 mm x 150 mm)
- Color is gray with gold hardware

### Kit consists of:

- (2) splice bars
- (4) 1/2-13 hex cap screws
- (4) 1/2-13 hex nuts and split lock washers

Part Number	Description in (mm)	Figure	Shipping Weight lb (kg)
10748-101	Bar Splice Kit	C	4 (1.8)