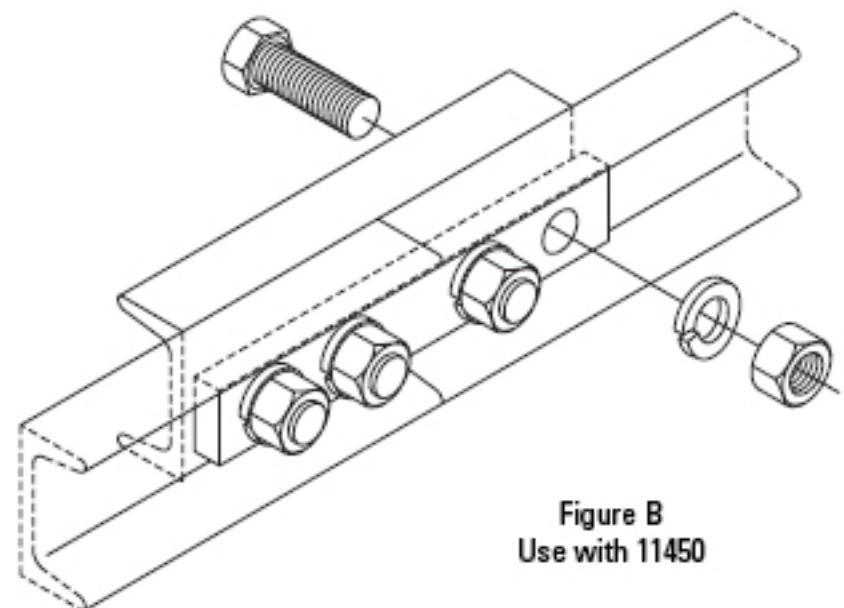
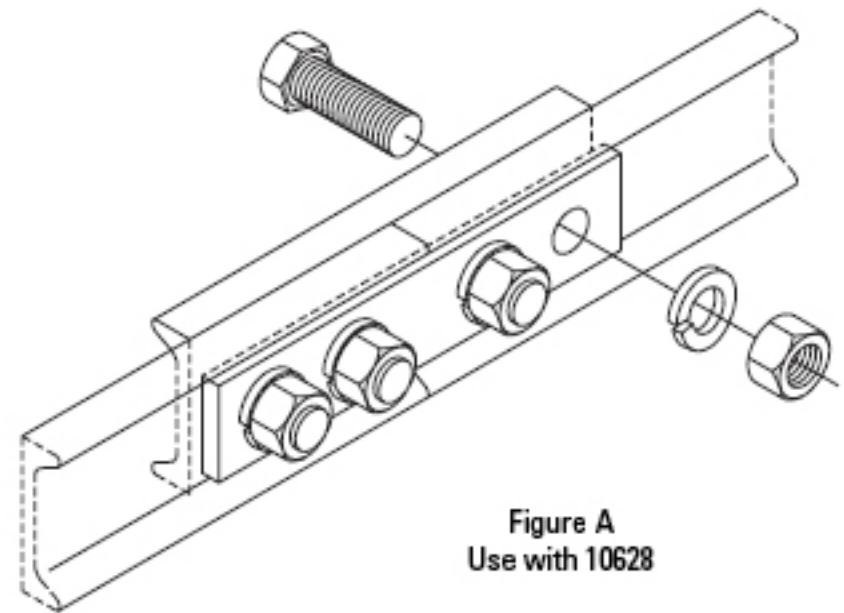


Product Information Sheet

HEAVY-DUTY, AUXILIARY FRAMING CHANNEL SPLICE

Provides extra strength to butt-splice framing channel.

- Drilling the framing channel is required
- Color is gold
- Kit consists of:
 - 1 each channel splice, 6" long
 - 1 each steel bar splice, 6" long
 - 4 each 1/2-13 hex cap screws
 - 4 each 1/2-13 hex nuts and split lock washers



| Part Number | Description | Figure | Shipping Weight |
|-------------|------------------------|--------|-----------------|
| 10746-101 | For 9/16" x 2" channel | A | 3 lb |
| 10747-101 | For 1" x 2" channel | B | 3 lb |

Sold by:



800-834-4969 in US & Canada • www.chatsworth.com