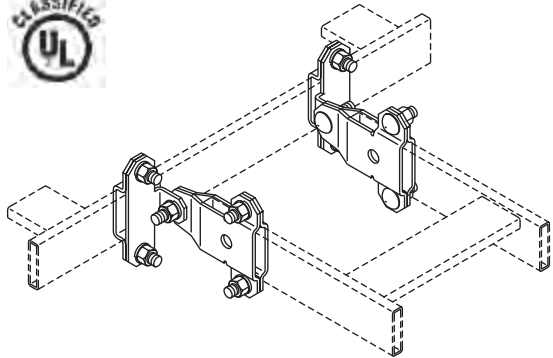
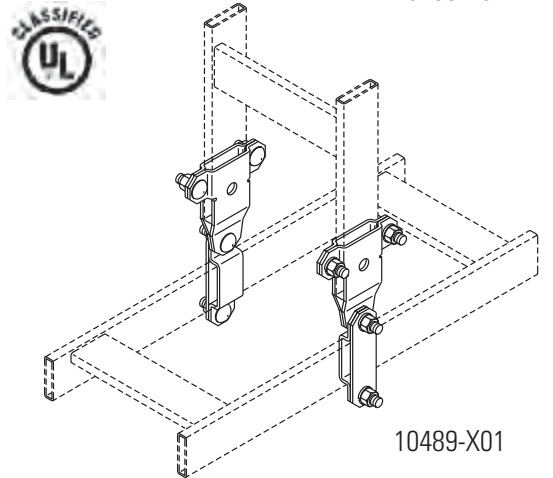


10487-X01



10488-X01



10489-X01

# Swivel Splice Kits

Splices cable runway vertically, horizontally or perpendicularly. Adjusts to any angle; not limited to 45 or 90 degrees. Flexible swivel design simplifies Cable Runway installation by making it easier to route around existing plumbing, electrical, etc. Material is steel. Hardware and instructions are included.

**Butt Swivel (10487) Kit consists of:**

- (8) bracket end
- (8) 5/16-18 x 3/4" round head square, neck bolts
- (2) 5/16-18 x 1" round head square, neck bolts
- (10) 5/16-18 hex nuts, split lock washers

**Junction Swivel (10488) Kit consists of:**

- (4) bracket end
- (2) bracket supports and plate clamps
- (2) 5/16-18 x 1" round head square, neck bolts
- (8) 5/16-18 x 3/4" round head square, neck bolts
- (10) 5/16-18 hex nuts, split lock washers

**Vertical Swivel (10489) Kit consists of:**

- (4) bracket end
- (2) bracket clamps and plate clamps
- (2) 5/16-18 x 1" round head square, neck bolts
- (6) 5/16-18 x 3/4" round head square, neck bolts
- (8) 5/16-18 hex nuts, split lock washers

Part Number	Description	Shipping Weight lb (kg)
10487-X01	Butt-Swivel Splice Kit	1 (0.5)
10488-X01	Junction Swivel Splice Kit	1 (0.5)
10489-X01	Vertical Swivel Splice Kit	1 (0.5)
16487-X01	UL Classified Butt Swivel Splice Kit	1 (0.5)
16488-X01	UL Classified Junction Swivel Splice Kit	1 (0.5)
16489-X01	UL Classified Vertical Swivel Splice Kit	1 (0.5)

X=color over zinc: 0=Gold, 7=Black