

Junction-Splice Kit

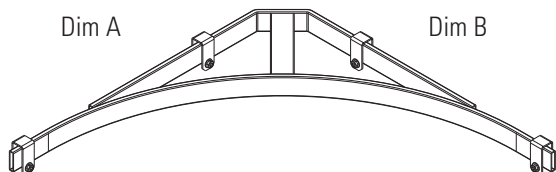
Used to create a 90 degree junction splice with all types of 1-1/2" x 3/8" or 2" x 3/8" (38.1 mm x 9.53 mm and 50.8 mm x 9.53 mm) Cable Runway.

Kit consists of:

- (4) corner clamp plates
- (2) 3/8-16 x 1 3/8" trimmed head bolts
- (2) 3/8-16 hex nuts
- (2) 3/8 split lock washers

Part Number	Description in (mm)	Shipping Weight lb (kg)
11302-X01	Junction-Splice Kit 1-1/2 x 3/8 (38mm x 9.53) Stringer	1 (0.5)
11302-X02	Junction-Splice Kit 2 x 3/8 (50.8 x 9.53) Stringer	1 (0.5)
16302-X01	UL Classified Junction Kit	1 (0.5)

X=color over zinc: 0=Gold, 7=Black



Cable Runway Corner Bracket

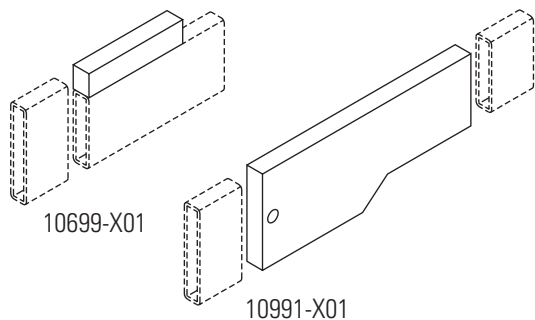
Creates a radius for L, T or X-shaped intersections of Cable Runway formed when two or more pieces of Cable Runway are connected together with the Junction-Splice Kit (P/N 11302 or 16302) or Heavy-Duty Junction-Splice Kit (P/N 11298 or 16298).

- Single-piece welded assembly fabricated from 3/8" x 1-1/2" x .065" (9.53 mm x 38.1 mm x 1.65 mm) wall rectangular steel tubing
- Easy installation; brackets/hardware included

Dim.	15" W (380 mm) in (mm)	24" W (610 mm) in (mm)
A	15.48 (393.2)	24.13 (612.9)
B	15.48 (393.2)	24.13 (612.9)

Part Number 15"W (380 mm)	Part Number 24"W (610 mm)	Description
11959-X15	11959-X24	Corner Bracket

X=color over zinc: 0=Gold, 1=Gray, 2=White, 7=Black



Transition Adapter Butt-Splice Kits

Enables 1-1/2" x 3/8" (38.1 mm x 9.53 mm) side stringers to be spliced to 2" x 3/8" (50.8 mm x 9.53 mm) side stringers. P/N 10991-001 allows Swivel-Splice Kits to be used with 2" x 3/8" (50.8 mm x 9.53 mm) side stringers.

Kit 10699-X01 consists of:

- (1) 2" Butt-Splice Kit (P/N 11301-X02)
- (2) steel bars

Kit 10991-X01 consists of:

- (1) 2" Butt-Splice Kit (P/N 11301-X02)
- (1) 1-1/2" Butt-Splice Kit (P/N 11301-X01)
- (2) Gray or Black finish/color steel transition bars

Part Number	Description in (mm)	Shipping Weight lb (kg)
10699-X01	Adapter Kit, 1-1/2 to 2 (38.1 to 50.8)	2 (0.9)
10991-X01	Transition Kit, 1-1/2 to 2 (38.1 to 50.8)	2 (0.9)

X=color over zinc: 0=Gold, 7=Black