

Product Information Sheet

HEAVY- DUTY SPLICE KITS (BUTT & JUNCTION)

Heavy-Duty Butt-Splice Kit

For butting two lengths of cable runway together where heavy cable runs are required.

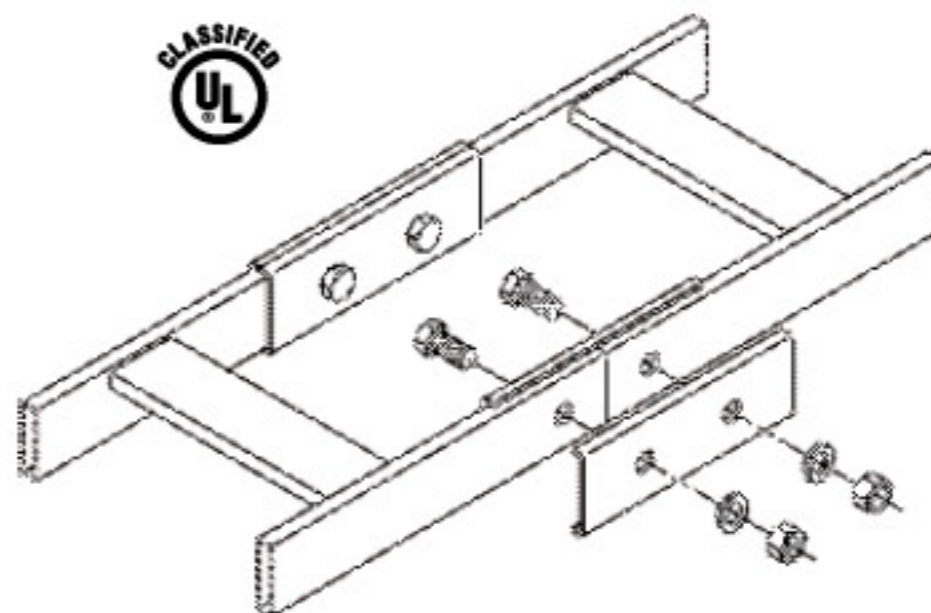
- Bolt through butt-splice kit for earthquake areas
- Cable runway drilling is required

Kit consists of:

- 4 each splice plates for 1-1/2" stringers
- 4 each 3/8-16 x 1 1/4" hex cap screws
- 4 each 3/8-16 hex nuts
- 4 each 3/8" split lock washers

Part Number	Description	Shipping Weight
11299-X01	Hvy Duty Butt-Splice Kit	2 lb
16299-X01	U.L. Classified Butt-Splice Kit	2 lb

* Note: X=color over zinc: 0=Gold, 7=Black



Heavy-Duty Junction-Splice Kit

Bolt-through junction splice kit for vertical runs or to meet seismic requirements.

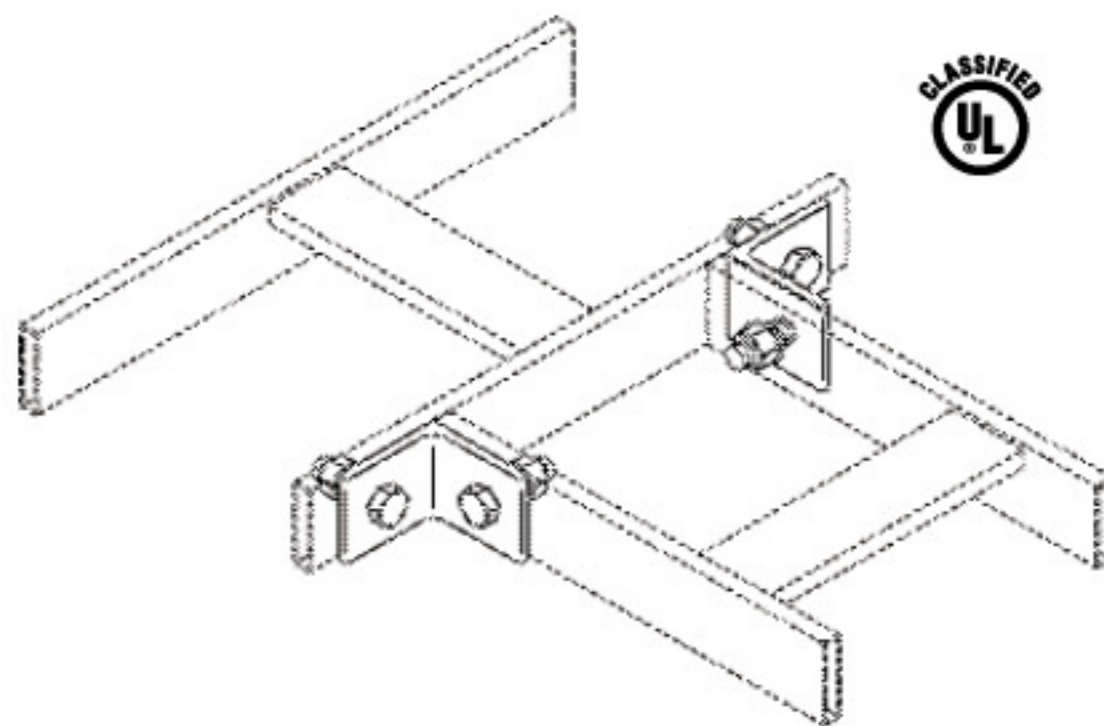
- Material is 2" x 2" x 3/16" steel angle
- Cable runway drilling is required

Kit consists of:

- 2 each splice angles
- 4 each 3/8-16 x 1 1/4" hex cap screws
- 4 each 3/8-16 hex nuts
- 4 each 3/8 split lock washers

Part Number	Description	Shipping Weight
11298-X01	Hvy Duty Junction Splice	3 lb
16298-X01	U.L. Classified Junc. Kit	3 lb

* Note: X=color over zinc: 0=Gold, 7=Black



Sold by:



800-834-4969 in US & Canada • www.chatsworth.com



CHATSWORTH PRODUCTS, INC.

©2002 Chatsworth Products, Inc. 5/02/GT