

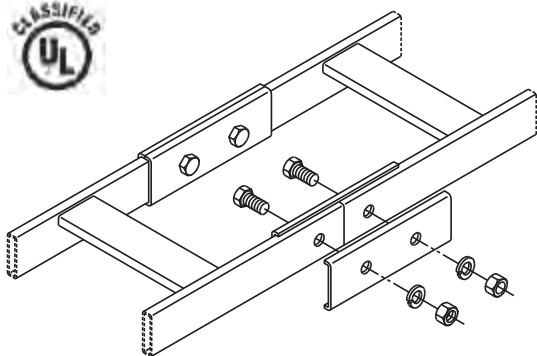
Butt-Splice Kit

Use Butt-Splice Kit to connect two sections of Cable Runway end-to-end. Fits both solid and tubular steel 1-1/2" x 3/8" and 2" x 3/8" (38.1 mm x 9.53 mm and 50.8 mm x 9.53 mm) Cable Runway.

Kit consists of:

- (4) splice plates
- (2) 3/8-16 trimmed head bolts
- (2) 3/8-16 hex nuts
- (2) 3/8" split lock washers

| Part Number | Description in (mm) | Shipping Weight lb (kg) |
|-------------|---|-------------------------|
| 11301-X01* | Butt-Splice Kit, 1-1/2 x 3/8 (38 x 9.53) Stringer | 1 (0.5) |
| 11301-X02* | Butt-Splice Kit, 2 (50.8) Stringer | 1 (0.5) |
| 16301-X01* | UL Classified Kit | 1 (0.5) |



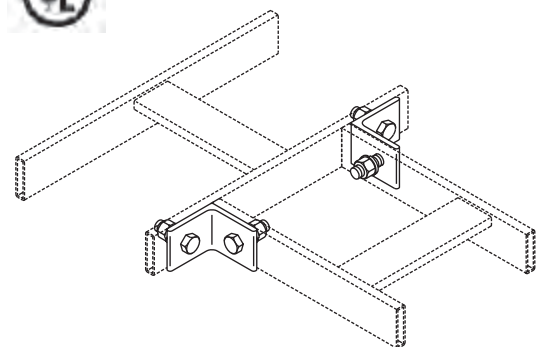
Heavy-Duty Butt-Splice Kit

For butting two lengths of Cable Runway together.
 • Bolt through Butt-Splice Kit for earthquake areas
 • Cable Runway drilling is required

Kit consists of:

- (4) splice plates for 1-1/2" stringers
- (4) 3/8-16 x 1-1/4" hex cap screws
- (4) 3/8-16 hex nuts
- (4) 3/8" split lock washers

| Part Number | Description | Shipping Weight lb (kg) |
|-------------|-------------------------------|-------------------------|
| 11299-X01* | Heavy-Duty Butt-Splice Kit | 2 (0.9) |
| 16299-X01* | UL Classified Butt-Splice Kit | 2 (0.9) |



Heavy-Duty Junction-Splice Kit

Bolt-through Junction-Splice Kit for vertical runs or to meet seismic requirements.

- Material is 2" x 2" x 3/16" (50 mm x 50 mm x 4.763 mm) steel angle
- Cable Runway drilling is required

Kit consists of:

- (2) splice angles
- (4) 3/8-16 x 1-1/4" hex cap screws
- (4) 3/8-16 hex nuts
- (4) 3/8 split lock washers

| Part Number | Description | Shipping Weight lb (kg) |
|-------------|----------------------------|-------------------------|
| 11298-X01* | Heavy-Duty Junction Splice | 3 (1.4) |
| 16298-X01* | UL Classified Junction Kit | 3 (1.4) |

*X=color over zinc: 0=Gold, 7=Black. Gold kits include gold color hardware, Black kits include black color hardware.