

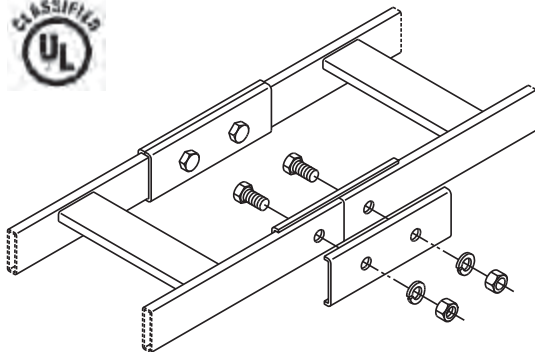
Butt-Splice Kit

Use Butt-Splice Kit to connect two sections of Cable Runway end-to-end. Fits both solid and tubular steel 1-1/2" x 3/8" and 2" x 3/8" (38.1 mm x 9.53 mm and 50.8 mm x 9.53 mm) Cable Runway.

Kit consists of:

- (4) splice plates
- (2) 3/8-16 trimmed head bolts
- (2) 3/8-16 hex nuts
- (2) 3/8" split lock washers

Part Number	Description in (mm)	Shipping Weight lb (kg)
11301-X01*	Butt-Splice Kit, 1-1/2 x 3/8 (38 x 9.53) Stringer	1 (0.5)
11301-X02*	Butt-Splice Kit, 2 (50.8) Stringer	1 (0.5)
16301-X01*	UL Classified Kit	1 (0.5)



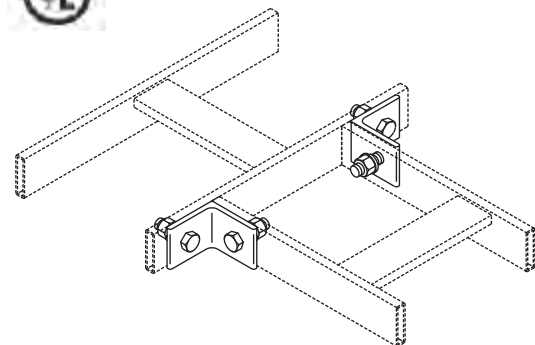
Heavy-Duty Butt-Splice Kit

For butting two lengths of Cable Runway together.
 • Bolt through Butt-Splice Kit for earthquake areas
 • Cable Runway drilling is required

Kit consists of:

- (4) splice plates for 1-1/2" stringers
- (4) 3/8-16 x 1-1/4" hex cap screws
- (4) 3/8-16 hex nuts
- (4) 3/8" split lock washers

Part Number	Description	Shipping Weight lb (kg)
11299-X01*	Heavy-Duty Butt-Splice Kit	2 (0.9)
16299-X01*	UL Classified Butt-Splice Kit	2 (0.9)



Heavy-Duty Junction-Splice Kit

Bolt-through Junction-Splice Kit for vertical runs or to meet seismic requirements.

- Material is 2" x 2" x 3/16" (50 mm x 50 mm x 4.763 mm) steel angle
- Cable Runway drilling is required

Kit consists of:

- (2) splice angles
- (4) 3/8-16 x 1-1/4" hex cap screws
- (4) 3/8-16 hex nuts
- (4) 3/8 split lock washers

Part Number	Description	Shipping Weight lb (kg)
11298-X01*	Heavy-Duty Junction Splice	3 (1.4)
16298-X01*	UL Classified Junction Kit	3 (1.4)

*X=color over zinc: 0=Gold, 7=Black. Gold kits include gold color hardware, Black kits include black color hardware.