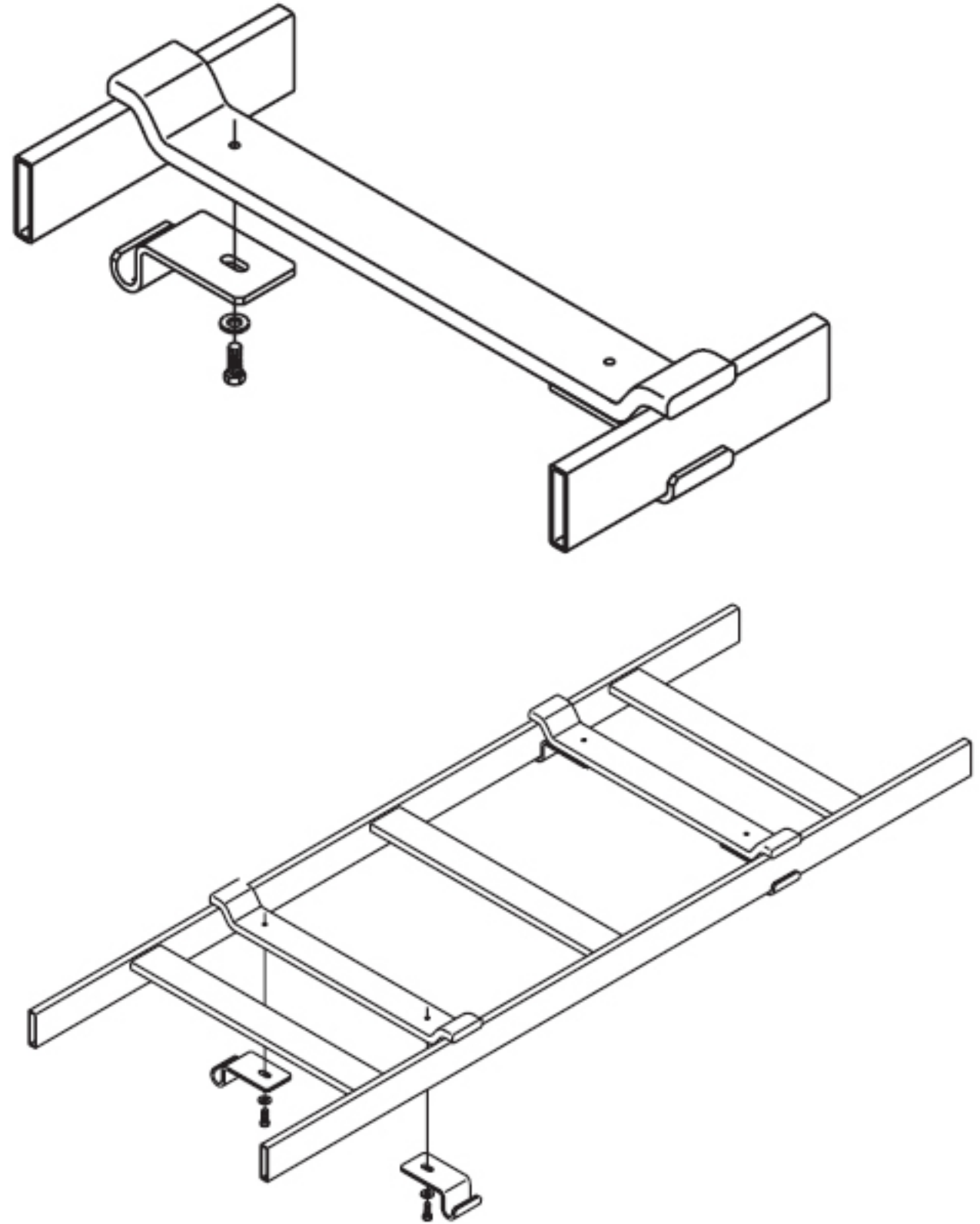


Product Information Sheet

CABLE RUNWAY MOVABLE CROSS MEMBER

Permits the dropping of cables at any point between cross members of 9",12" or 18" wide cable runways. May be used alone or combined with Cable Runway Radius Drop (12100 series on page 7-7) as shown below in the column titled "Recommended Partner Product".

- Fits on standard cable runway only (1-1/2" x 3/8" stringer)
- Can be used with TELCO-Style runway (Series 11252) and U.L. classified runway (Series 11275) as an attachment point for Cable Runway Radius Drop (Series 12100)
- Easy installation using provided hardware



Part Number	Cable Runway Width	Color	Recommended Partner Product (Radius Drop 12100 Series)
12115-109	9"	Gray	12100-107
12115-112	12"	Gray	12100-110
12115-118	18"	Gray	12100-116
12115-209	9"	White	12100-207
12115-212	12"	White	12100-210
12115-218	18"	White	12100-216
12115-709	9"	Black	12100-707
12115-712	12"	Black	12100-710
12115-718	18"	Black	12100-716

Sold by:



800-834-4969 in US & Canada • www.chatsworth.com



CHATSWORTH PRODUCTS, INC.

©2002 Chatsworth Products, Inc. 11/02