

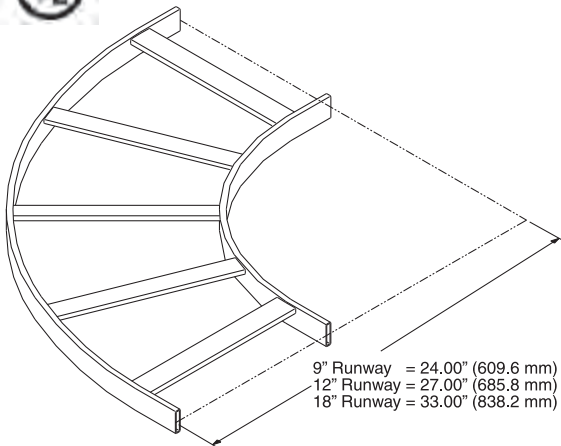
## Cable Runway Radius Bend

Creates a gradual bend for cascading cable runs.

- Made of lightweight 1-1/2" x 3/8" (38.1 mm x 9.53 mm) tubular steel
- Three cross members welded at approximately 23 degree increments
- Outside/Inside is determined by welding cross members closer to cable side

Part Number		
90-Degree Outside Bend	90-Degree Inside Bend	Width (Dim. A) in (mm)
10723-X06	10724-X06	6 (150)
10723-X09	10724-X09	9 (230)
10723-X12	10724-X12	12 (300)
10723-X15	10724-X15	15 (380)
10723-X18	10724-X18	18 (460)
10723-X20	10724-X20	20 (510)
10723-X24	10724-X24	24 (610)

X=color; 1=Gray, 2=White, 7=Black, 0=Gold. Only gold radius bends are UL Classified.



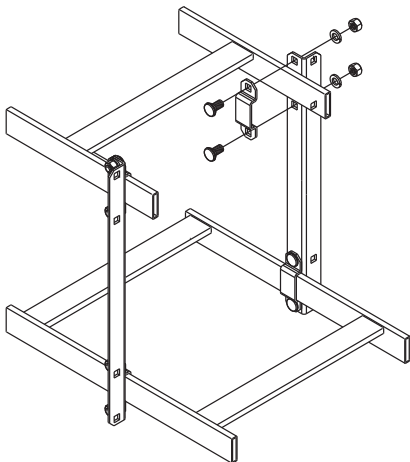
## Cable Runway E-Bend

Creates a 90 degree gradual sweep in horizontal plane for Cable Runway runs. Designed for cabling in conformance with minimum bend radius requirements (typically 4 times the cable diameter). Made of lightweight 1-1/2" x 3/8" (38.1 mm x 9.53 mm) tubular steel to fit standard Cable Runway. Cross members welded at approximately 23 degree increments.

- Conforms to Category 5e/6/6a requirements
- Easy installation using CPI Butt-Splices (P/N 11301-001, not included)

Part Number 9" W (230 mm)	Part Number 12"W (300 mm)	Part Number 18"W (460 mm)
10822-X09	10822-X12	10822-X18

X=color; 1=Gray, 2=White, 7=Black, 0=Gold. Only gold E-Bends are UL Classified



## Cable Runway Standoff Support Kit

Allows the attachment of cable runway 12" (300 mm) directly above and either parallel or perpendicular to existing Cable Runway. Each kit consists of the following items: two steel angle pieces, four steel brackets and eight sets of nuts, bolts and washers. The angle pieces are available in gray, white, black or gold finish.

Part Number	Description	Shipping Weight lb (kg)
31470-X12	Standoff Support Kit	1 (0.5)

X=color; 1=Gray, 2=White, 5=Black, 0=Gold. Gold (-012) and White (-212) kits include gold-colored hardware, Gray (-112) and Black (-712) kits include black color hardware.