

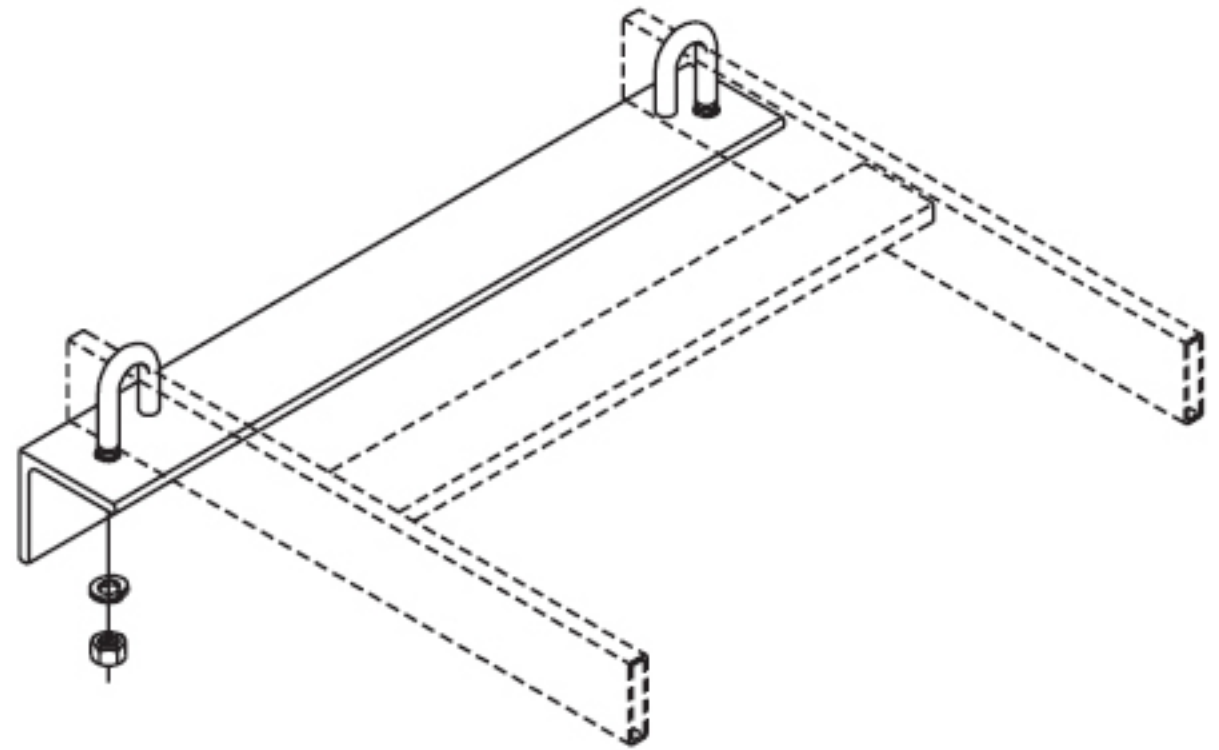
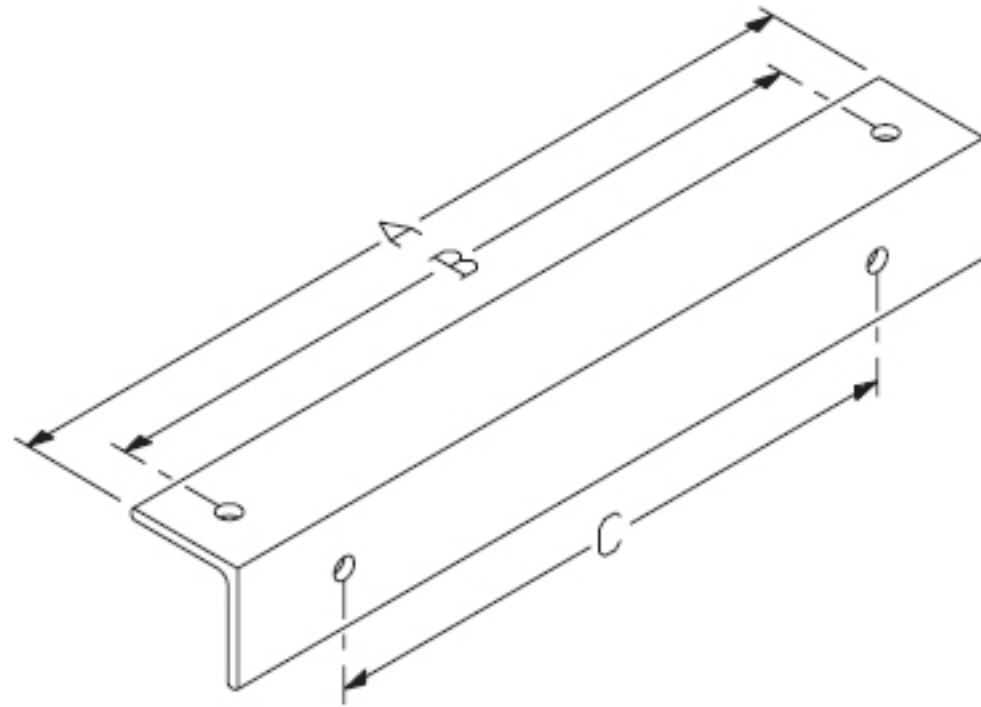
Product Information Sheet

WALL ANGLE SUPPORT KIT, CABLE RUNWAY

2" x 2" x 3/16" steel support angle is cut and drilled for wall mounting specific widths of cable runway.

■ Kit consists of:

- 1 each wall angle
- 2 each 5/16-18 x 2 1/4" J-bolts
- 2 each 5/16-18 hex nuts
- 2 each 5/16 lock washers



11421	Wall Angle Support Kit
-------	------------------------

Color	
1	Gray
2	Computer White
7	Black

	Runway Width	Dim. A	Dim. B	Dim. C
04	4"	6"	4.31"	4.31"
06	6"	8"	6.31"	4"
09	9"	11"	9.31"	7"
12	12"	14"	12.31"	10"
15	15"	17"	15.31"	13"
18	18"	20"	18.31"	16"
20	20"	22"	20.31"	18"
24	24"	26"	24.31"	22"

11421	-	X	XX
-------	---	---	----



800-834-4969 in US & Canada • www.chatsworth.com



CHATSWORTH PRODUCTS, INC.