

Single Earthquake Bracing Kit

Stabilizes Cable Runway hung from threaded rods. Material is 2" x 3/8" (50 mm x 9.53 mm) steel with gold over zinc plating.

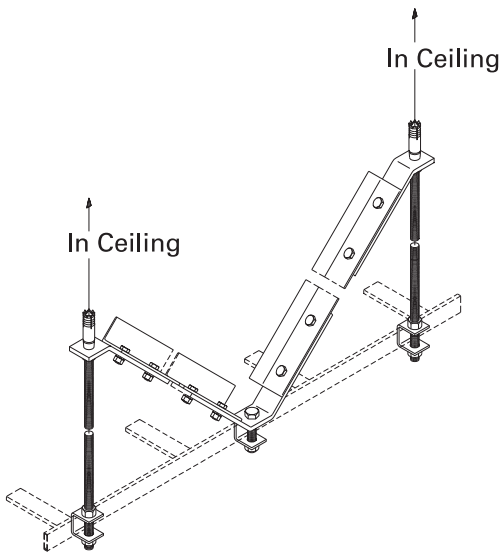
Kit consists of:

- (2) steel bars (45° angle)
- (4) 1/2-13 x 1 1/4" hex nuts & cap screws
- (4) 1/2" split lock washers

Installation will require (not included):

- Threaded rod and runway attachment hardware
- (1) 2" x 2" x 3/16" (50 mm x 50 mm x 4.763 mm) steel angle of appropriate length. See P/N 11420 (angle must be trimmed to proper length and drilled during installation)

| Part Number | Description | Shipping Weight lb (kg) |
|-------------|-------------------------|-------------------------|
| 10695-001 | Single Earthquake Brace | 8 (3.6) |



Double Earthquake Bracing Kit

Stabilizes Cable Runway hung from threaded rods. Material is 2" x 3/8" (50 mm x 9.53 mm) steel with gold over zinc plating.

Kit consists of:

- (2) steel bars (45° angle)
- (1) "V" steel bar
- (8) 1/2-13 x 1 1/4" hex cap screws
- (8) 1/2-13 hex nuts
- (8) 1/2" split lock washers

Installation will require (not included):

- Threaded rod and runway attachment hardware
- (2) 2" x 2" x 3/16" (50 mm x 50 mm x 4.763 mm) steel angle of appropriate length. See P/N 11420 (angle must be trimmed to proper length and drilled during installation)

| Part Number | Description | Shipping Weight lb (kg) |
|-------------|-------------------------|-------------------------|
| 10696-001 | Double Earthquake Brace | 14 (6.4) |

Note: Seismic installation requirements should be approved by a licensed structural engineer.

Installation may also require (not included):

For concrete ceiling:

- 5/8-11 concrete anchors
- 5/8-11 x 3 1/2" studs
- 5/8-11 hex nuts
- 5/8" split lock washers

For secondary structure:

- 5/8-11 threaded rod
- Grid Clamp Kits
- 5/8-11 hex cap screws
- 5/8-11 hex nuts
- 5/8" split lock washers