



HUBBELL
iStation

Audio/Video Connectors, 9-pin Gender Changer

iSTATION™ Front-Loading
Footprint.

RS232 Data Transmission.

Seamless Hubbell System
Integration.

High Quality Connection.

Female to Female
Coupler.



iSTATION™
Mounting
Flexibility.

Easy Termination.

SPECIFICATIONS

- ◆ **Connector:**
High Density 9-pin D-Sub Connector Female to Female Coupler.
- ◆ **Performance:** Serial - RS232 Data Transmission.

Hubbell's high-density 9-pin gender changer provides an easy way to run serial data applications. The high quality connection is designed for minimal signal loss.

Providing flexibility and ease-of-use for serial applications, our DB9 gender changer fits into a high-density 1 unit iSTATION™ module allowing for 2 additional units to be placed into a single gang faceplate for additional applications.

Create a customized multimedia workstation outlet by adding a high-density DB9 gender changer along with Hubbell's extensive line of AV connectors, iSTATION™ modules and XCELERATOR™ jacks.

CABLE TERMINATION

Cable Type: Standard 9-pin cable assemblies.

APPLICATIONS SUPPORTED

- ▲ **Common RS232 Protocols:**
 - Transmitted Data (TxD)
 - Received Data (RxD)
 - Request To Send (RTS)
 - Clear To Send (CTS)
 - Data Terminal Ready (DTR)
 - Data Set Ready (DSR)
 - Data Carrier Detect (DCD)
 - Ring Indicator (RI)
- ▲ **Common RS232 Applications:**
 - AV Control Systems
 - White Boards
 - Asset/Device Management

CONNECTOR TERM

9-Pin D-subminiature or **HD 9-pin D-sub** is a common connector used for data communications. The most common application of D-sub is RS-232 serial communications. Serial communications are used to transfer information between two devices using RS-232 protocol. Serial cables most commonly use the 9-pin D-subminiature, but other types of connectors can be used.

INSTALLATION TIPS

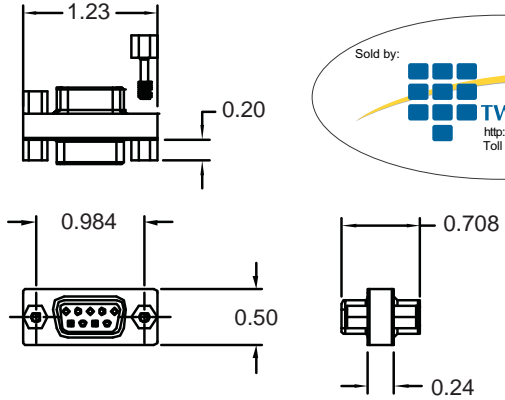
Important: Always allow for clearance behind connection location to ensure proper bend radius with Serial cable assemblies.

AV Connector, 9-pin Gender Changer



Qty. _____ Catalog No. _____
 10-pack **9GC10**

DIMENSIONS



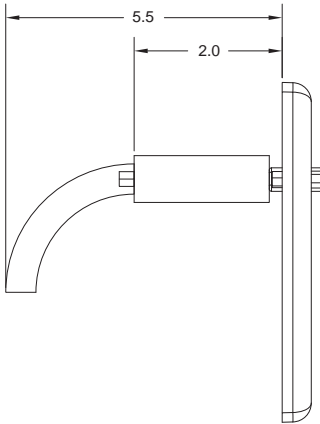
Unloaded 15-/9-pin HDMI Plates, Frames, Modules

Description	Catalog No.
HDMI 15/9-pin Blank, Unloaded, 1 Unit, 10-pk	IMBDS1XX
HDMI/15/9-pin Blank, Angled Unloaded, 1.5 Unit, 1-pk	IMBDSA15XX
HDMI 15/9-pin AV, Panel Mount Connector, 3.5mm, Blank, 2 Unit, 1-pk	IMB153X2XX
HDMI 15/9-pin, 3.5mm, Blank, 1.5 Unit 10-pk	IMB15315XX
HDMI 15/p-Pin, Decorator Frame, 1-gang, 1-pk	ISFB15XX

XX = Housing Colors

"AL" = Almond; "BK" = Black; "EI" = Electric Ivory; "GY" = Gray;
 "LA" = Light Almond; "OW" = Office White; "W" = White.

CONNECTOR DEPTH CHART



iSTATION™ COMPATIBLE

Work Station and Cross-Connect Solutions

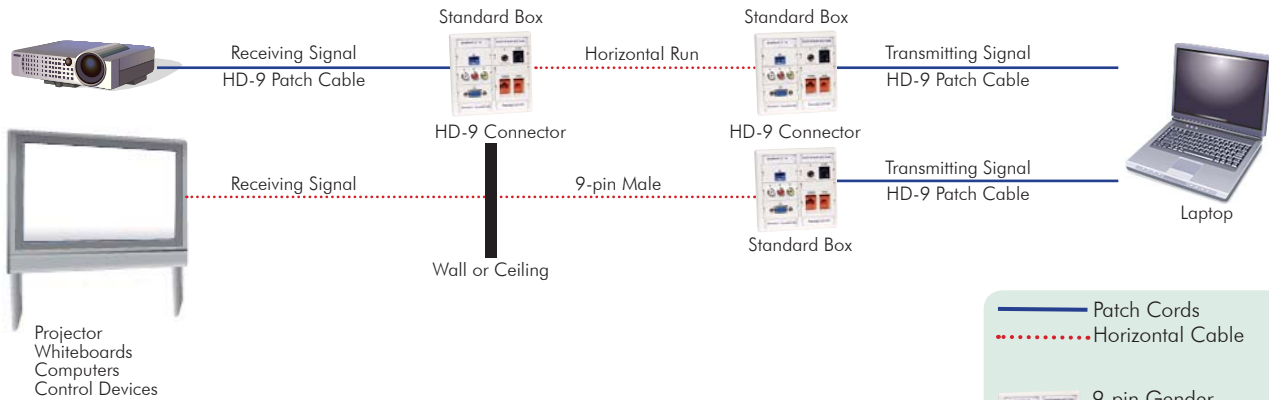
- iSTATION™ Front-loading Plates
- Decorator Frames
- iSTATION™ UDX Multimedia Panels
- iFRAME® Vertical Patch Panel

Hubbell Delivery Systems

- Hubbell SystemOne Poke-Throughs and Floor Boxes
- Hubbell Surface Raceway, Metal and Non-Metallic
- Multi-Connect™ Wall Boxes/Conference Table Boxes



TYPICAL APPLICATIONS



— Patch Cords
 Horizontal Cable

9-pin Gender Changer Connector in Hubbell iSTATION™ face plate.



Hubbell Premise Wiring

HUBBELL INCORPORATED (Delaware)
 14 Lord's Hill Road • Stonington, CT 06378-0901 • (860) 535-8326 • 800-626-0005
 Fax: (860) 535-8328 • Internet site: <http://www.hubbell-premise.com>

Worldwide Locations

Hubbell Premise Wiring, Asia Pacific
 Hubbell Canada Inc.
 Hubbell Premise Wiring, Central America
 Hubbell Premise Wiring, China
 Hubbell Premise Wiring, Europe
 Hubbell Premise Wiring, India
 Hubbell Int'l. Inc., Korea Branch

852-2836-7131 Fax: 852-2836-7132
 905-839-1138 Fax: 905-839-9108
 506-309-4158 Fax: 506-260-1616
 86-21-6374 2660 Fax: 86-21-6374 2799
 44-01283 500500 Fax: 44-01283 500400
 91-80-4022-4089 Fax: 91-80-4022-4033
 (82 2) 2607 1363 Fax: (82 2) 2603 7386

Hubbell Premise Wiring, Latin America
 Hubbell de Mexico, S.A. de C.V.
 Hubbell Premise Wiring, Middle East
 Hubbell Premise Wiring, Puerto Rico
 Hubbell-Taian Co., Ltd., Taiwan
 Hubbell Premise Wiring, Venezuela

305-408-4501 Fax: 305-408-8201
 (5255) 9151-9999 Fax: (5255) 9151-9989
 971-4-393-4192 Fax: 971-4-393-4194
 787-855-1075 Fax: 787-855-3265
 886-2-2522-1862 Fax: 886-2-2522-1872
 58-212-5156482 Fax: 58-212-6627258