

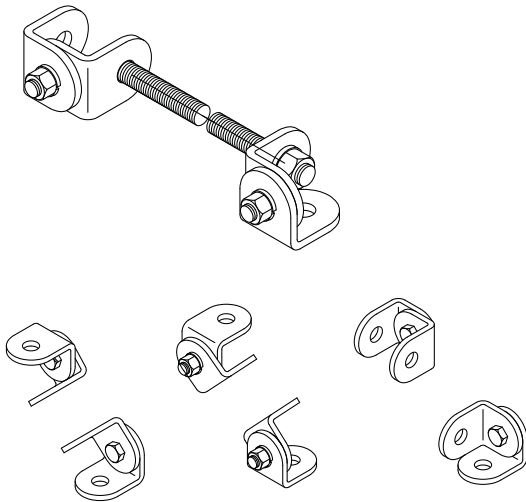
## Universal Earthquake Bracing Kit

This adjustable wall/ceiling brace provides a means of securing an equipment rack or auxiliary frame to meet earthquake safety codes.

- Material is 2" x 1/4" (50 mm x 6.35 mm) steel finished with Gold Chem Film over zinc plating

### Kit consists of:

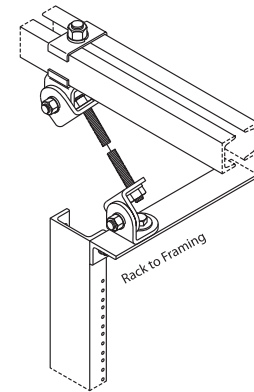
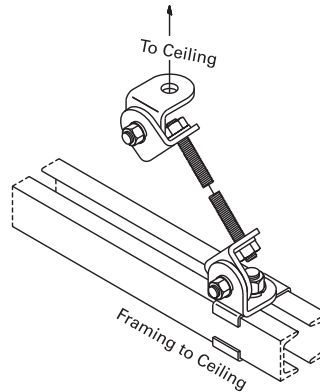
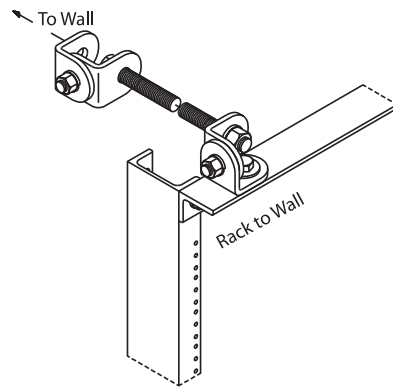
- (4) brackets (make 2 swivel brackets)
- (2) 1/2-13 x 1 1/4" hex bolts
- (2) 1/2-13 hex nuts
- (2) 1/2" split lock washers



Part Number	Description	Shipping Weight lb (kg)
10562-001	Universal Earthquake Bracing Kit	3 (1.4)

*Note: Seismic installation requirements should be approved by a licensed structural engineer.*

### Installation drawings:



### Installation will require (not included):

- (1) 5/8-11 threaded rod of appropriate length  
Rod must be trimmed to proper length during installation
- (2) 5/8-11 hex nuts
- (2) 5/8 flat Type A washer, wide
- Clip kit and hardware for attachment to channel or bar

### Installation may also require (not included):

#### For concrete ceiling:

- (1) 5/8-11 concrete anchor
- (1) 5/8-11 x 3" stud
- (2) 5/8-11 hex nuts
- (1) 5/8" split lock washer
- (1) 5/8" flat, washer, wide, Type A

#### For rack:

- (1) 5/8-11 x 1 1/4" hex cap screw
- (1) 5/8-11 hex nut
- (1) 5/8" split lock washer

#### For auxiliary frame or grid:

- (1) Grid Clamp Kit
- (1) 5/8-11 x 3 1/4" hex screw cap
- (1) 5/8-11 hex nut
- (1) 5/8" split lock washer

#### For plywood backboard:

- (1) 5/8" x 2" hex lag screw
- (1) 5/8" split lock washer