

Shown with wiring blocks (not included)

## XLBET 110A Block Mounting System

The Extra Large Building Entrance Terminal (XLBET) 110A Block Mounting System is designed for high-density, space-saving style block mounting. The 8"W x 6.6"D (200 mm x 168 mm) large wire managers provide distinct vertical and horizontal cable and jumper pathways for efficient space usage. The basic frame (23" or 35"), mounting bars and the small and large wire managers are available under one part number. The XLBET 110A Block Mounting System ships completely assembled for quick, easy installation.

- Supports 300 pair 110A style blocks
- 3600 pair in two columns to 5400 pair in three columns can be mounted per side depending on the frame selected
- Double-sided version provides 7200 to 10,800 pair depending on the frame selected
- Horizontal and vertical cable managers provide clearly defined cable routing of large quantities of cross-connect wires
- 6"D (150 mm) rack channel provides extra cable capacity

**11810-X36 Kit (3600 pair/12 blocks/single sided) consists of:**

- (1) 23" Standard Rack, 6"D (150 mm) (P/N 66383-X03)
- (6) Mounting Bars
- (3) Large Wire Managers, (3) Small Wire Managers

**11810-X72 Kit (7200 pair/24 blocks/double-sided) consists of:**

- (1) 23" Standard Rack, 6"D (150 mm) (P/N 66383-X03)
- (12) Mounting Bars
- (6) Large Wire Managers, (6) Small Wire Managers

**11910-X54 Kit (5400 pair/18 blocks/single-sided) consists of:**

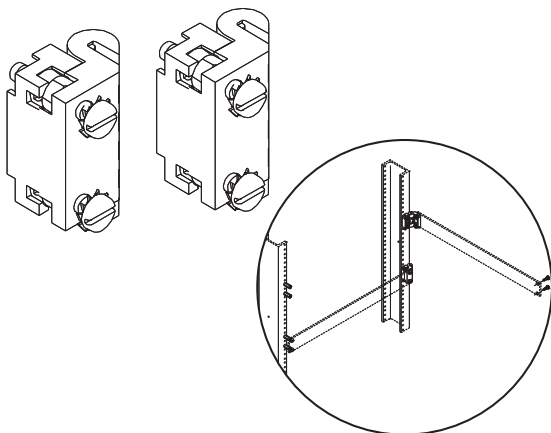
- (1) 35" Standard Rack, 6"D (150 mm) (P/N 66363-X03)
- (6) Mounting Bars
- (3) Large Wire Managers, (3) Small Wire Managers

**11910-X80 Kit (10800 pair/36 blocks/double-sided) consists of:**

- (1) 35" Standard Rack, 6"D (150 mm) (P/N 66363-X03)
- (12) Mounting Bars
- (6) Large Wire Managers, (6) Small Wire Managers

Part Number			
23" Width		35" Width	
3600 Pair	7200 Pair	5400 Pair	10,800 Pair
11810-X36	11810-X72	11910-X54	11910-X80

X=color: 1=Gray, 2=White, 5=Clear, 7=Black



## Panel Hinges

Versatile 1.75"H (44.45 mm) rack-mounting hinges provide rear access to patch panels or other shallow equipment by allowing them to swing outward. Made from high strength black composite material.

- Sold in pairs with mounting hardware included
- Supports up to 30 lb (13.6 kg) per pair

Part Number	Description	Shipping Weight lb (kg)
11520-001	Hinges, Pair	1 (0.5)