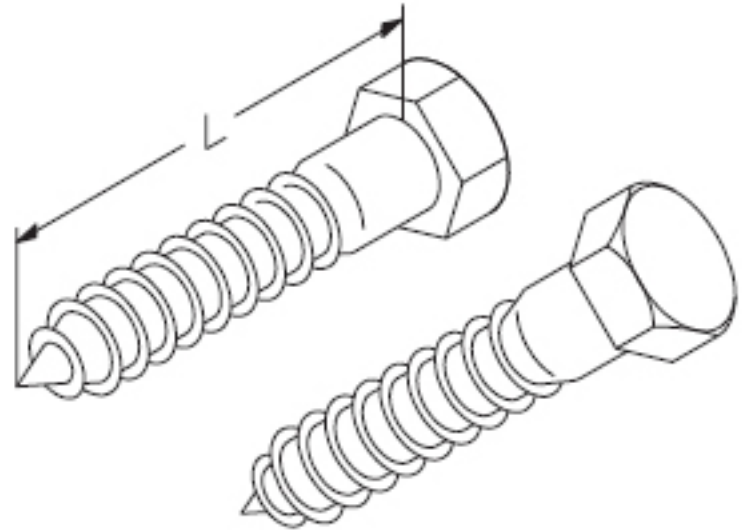


# Product Information Sheet

## HEX LAG SCREW

Used to install racks onto wood or other soft surfaces.

- Sold individually
- Gold over zinc plate finish



Part Number	Nominal Size	Length	Shipping Weight
02006-001	1/2-6	2"	1 lb
02006-002	5/8-5	2"	1 lb
02007-004	1/4-10	2"	1 lb
20098-832	3/8-7	2"	1 lb



800-834-4969 in US & Canada • [www.chatsworth.com](http://www.chatsworth.com)