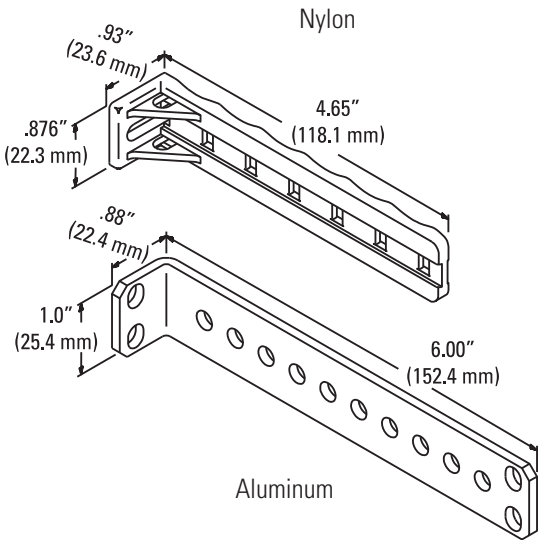


## Stand-Off Tie Bracket

These brackets mount to the back of the rack channel to provide a convenient point to tie-down cable runs.

- Choice of either non-conductive nylon or high strength aluminum
- Either end of the aluminum bracket can be attached to rack, allowing cabling to run several different ways
- Mounting hardware not included
- Sold individually and in quantities of 50



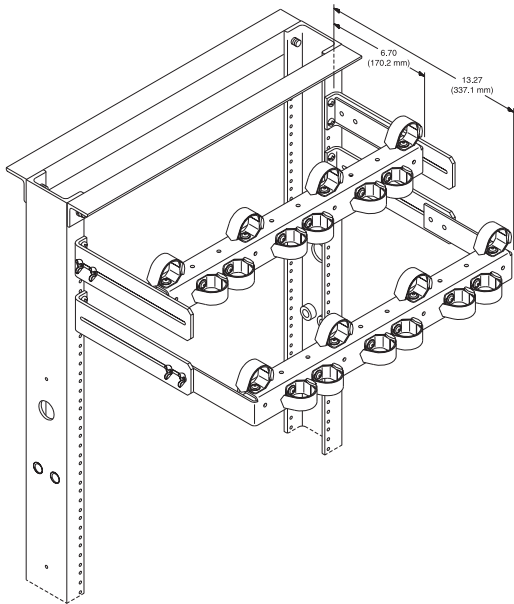
Part Number	Description W x L in (mm)	Package of	Shipping Weight lb (kg)
10001-001	1 x 5 (30 x 13), White Nylon	1	1 (0.5)
10001-050	1 x 5 (30 x 130), White Nylon	50	3 (1.4)
10559-X00	1 x 6 (30 x 150), Aluminum	1	1 (0.5)
10559-X50	1 x 6 (30 x 150), Aluminum	50	5 (2.3)

X=color: 1=Gray, 2=White, 5=Clear, 7=Black

## Cable Strain Relief Bracket

Have you ever pulled cables out of rack-mounted equipment accidentally? Do you need to maintain a minimum bend radius for your cabling? Our rack-mounted cable strain relief is the answer. Made of high-strength aluminum, it includes ten flexible Saf-T-Grip® Cable Management Straps. This bracket can be mounted at desired height and depth to position straps right where you need them. Reusable rivets allow Saf-T-Grips to be added or removed as required. Aluminum construction.

- Mounting hardware not included



Part Number	Description	Shipping Weight lb (kg)
11579-X19	19" Rack	1 (0.5)
11570-X23	23" Rack	1 (0.5)

X=color: 1=Gray, 2=White, 5=Clear, 7=Black