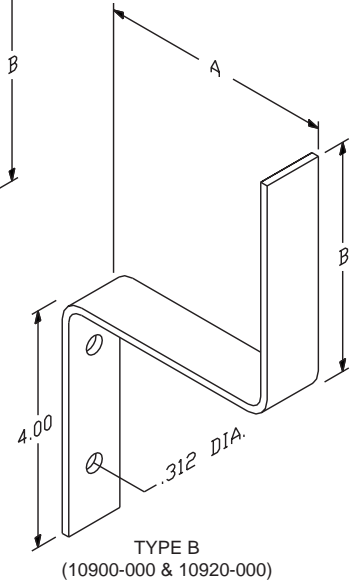
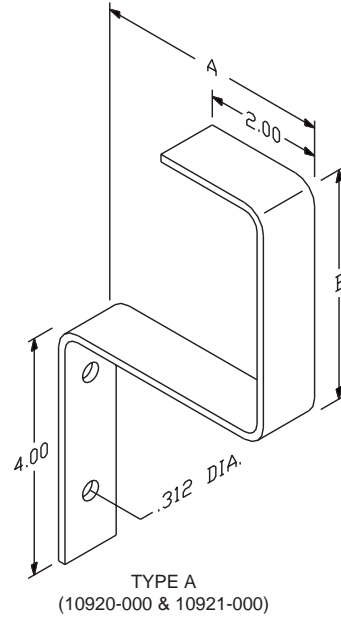


# Product Information Sheet

## Wall Cable Support Bracket

Designed to support heavy cable runs, such as multiple strand PBX cable, data cabling and coax, along walls or wherever wall support of heavy cable runs are needed.

- Material is 1/8" x 1" steel strap with edges rolled to prevent damage to cable and wire insulation
- Finish is zinc plated for resistance to corrosion
- Installation hardware not included



Part Number	Type	Dim. A	Dim. B	Shipping Weight
10900-500	B	6"	6"	1 lb
10910-500	B	4"	3 7/8"	1 lb
10920-500	A	4"	7 3/4"	1 lb
10921-500	A	4"	4"	1 lb

800-834-4969 in US & Canada • [www.chatsworth.com](http://www.chatsworth.com)



CHATSWORTH PRODUCTS, INC.

©2002 Chatsworth Products, Inc. 5/02/GT